

Varian, Inc.
Vacuum Technologies



Turbo-V Pumps

Features and Benefits 154-155

Typical Applications 156-159

Pump Models 160-179

Pump Controllers 180-185

Accessories 186-187

Technical Notes 188-195

Service and Support Plan 196-198

NOTICE: This document contains references to Varian. Please note that Varian, Inc. is now part of Agilent Technologies. For more information, go to www.agilent.com/chem.



Turbo-V Pump Features and Benefits



Wide Pumping Speed Range: 70 to 6,000 l/s

Varian offers a complete range of turbomolecular pumps, to cover all possible applications and market segments.

High Speed, High Compression

Maximizing performance at minimum cost and size: this is our design mission. Our use of technology ensures maximum performance without compromising pump size, cost, or reliability. We use our technologies to meet the mainstream of our customers' applications, providing them with high performance, reliable pumping solutions at a competitive cost.



Very High Foreline Tolerance

Working with a foreline pressure as high as 18 mbar yields a substantial advantage: the size of the primary pump can be significantly reduced such that even a backing pump as small as the 5 m³/hr SH-100 (dry) or DS 102 can be used to operate our V 301 Navigator in all its pumping profiles. Thanks to one of the features of the MacroTorr® technology you can now reduce the cost of your vacuum system and get better performance at the same time.



Controller "Plug & Pump" Ready-to-Use T-plus SW

Operating and controlling a turbomolecular pump has never been so simple. Thanks to our T-plus Software you can connect your laptop directly to the pump control unit and start to use it. You can start or stop the pump, as well

as check its temperature and gas load conditions. You can also monitor pump parameters over time, as well as do straightforward diagnostics directly on the vacuum system with a click of the mouse in the Windows™ based environment. From buttons to charts to dialoggers, everything is simple in our T-plus Software.



State-of-the-Art MacroTorr® Technology

The most effective pumping stage technology currently available.

Thanks to this powerful Varian innovation you can:

- maximize the throughput of the pump
- extend the foreline tolerance up to 18 mbar
- increase the compression ratio by decades, most notably for light gases without compromising the size or weight of the pump. In fact, the MacroTorr® stages set in the V301 Navigator is hosted in the space of one inch.



Designed for Very High Gas Load Operation

Varian has been always focused on high throughput applications. Thanks to state-of-the-art numerical modeling tools, pumping stages are designed to minimize the power consumption.

Special care is given to the thermal design of the cooling fins and the internal temperature distribution, to ensure efficient operation.



Monolithic Rotor

Our patented cutting tools and EDM process, combined with a sophisticated CAD/CAM manufacturing operation, allow Varian to produce pump rotors from a single piece of high tech aluminum alloy. This major technological achievement improves the life of the pump for different reasons:

- the weight of the rotor is minimized, allowing installation of the pump in absolutely any position without compromising the pump performance
- the lighter the pump structure, the lower the stresses on the material and on the bearings themselves, resulting in longer pump life!



Highly Reliable, Maintenance-Free Ceramic Ball Bearings

No oil, no refill, no contamination. This is our design philosophy. All of our pumps are designed around ceramic ball bearing technology.

Ceramic is lighter, harder, smoother, and thermally more stable than any steel. So a ceramic ball bearing can run faster, hotter and more quietly than any steel ball bearing. The lubrication of the bearings is critical. After years of research Varian has developed its proprietary Dry Lubrication technology to guarantee excellent pump life time in any position and in any gas load working condition. Thanks to ceramic bearings and Dry Lubrication technology, you can count on an ultimate MTF of our products of 120,000 h plus. Thanks to Varian, performance has never been so reliable.

Varian turbo pumps feature standard rack controllers, Navigator on board controllers, or integrated electronics



Turbo-V Pump Typical Applications



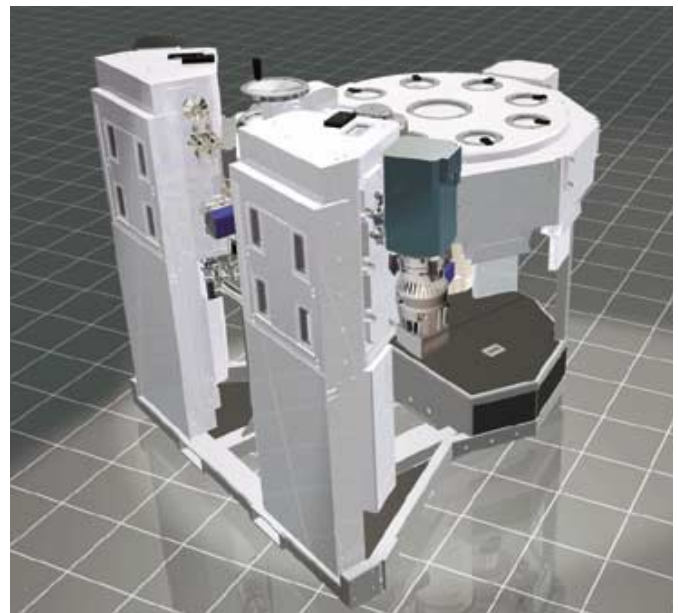
Semiconductors

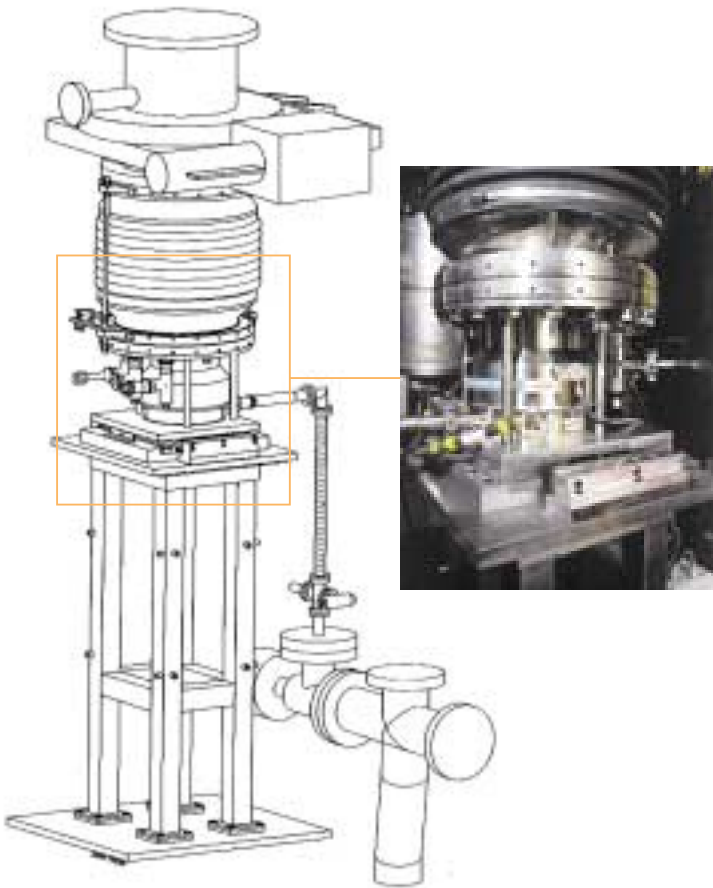
The turbo pump is the critical element in the creation of an appropriate environment in the world of semiconductor manufacturing. In fact, as semiconductor chip geometries continue to shrink, the reliance on turbo pump technology is the highest it has been in the history of semiconductor manufacturing. Varian's turbo pumps provide unique and critical advantages in the creation of vacuum for the manufacture of semiconductor devices. Varian's rich history of innovations includes the pioneering of thermally stable ceramic bearings in place of stainless steel bearings, and the development of MacroTorr® turbo stages, among others.

The use of ceramic bearing technology allows Varian to run its turbo pumps at the one of the highest rotational speeds in the industry, providing high pumping speed for light gases like helium and hydrogen, which are frequently liberated in the production of semiconductors. Since pumping speed is directly related to rotational speed, our turbo pumps provide improved pumping speed in a more compact package.

Another critical innovation by Varian in the world of turbo pumps has been the introduction of the monolithic rotor in conjunction with MacroTorr® turbo stages. These two additions provide the turbo pump with the ability to meet demanding rapid cycle applications, such as vacuum load locks, in which high gas-load cycling and

high tolerable foreline pressures are critical to the success of the process. Varian's turbo pump capabilities are unique, and the most advanced in the industry, allowing the user to share a single roughing pump across multiple turbo pumps, thus reducing costs and improving tool reliability by reducing the number of dynamic systems within the process tool.





High Energy Physics and Research Laboratories

Turbomolecular pumps are widely used in High Energy Physics, Fusion Technology and general UHV research. Synchrotron Light Sources, Particle Accelerator Rings, UHV Laboratory research, and Fusion reactors need extremely clean, reliable and cost effective HV and UHV.

Maintenance-free pumps are specifically required, because most pumps are not easily accessible.

Varian Turbo-V pumps are designed to offer unmatched reliability, performance and cleanliness for these applications. Ceramic bearing pumps, thanks to their reduced rolling friction, low stress and high thermal stability compared to conventional bearings, deliver longer operating life.

Ultra low vapor pressure solid lubricant eliminates the need for maintenance and assures clean operation under any operating conditions.

Furthermore, in contrast to most of the other pumps, all Varian Turbo-V pumps have both the upper and the lower bearing in the rough vacuum side and not exposed to UHV, further reducing the possibility of contamination - even in case of misuse.

The patented MacroTorr® stages provide the highest speed and compression ratio in the smallest footprint; furthermore all the Turbo-V pumps can truly be mounted in any orientation, from vertical to horizontal to upside down, aiding

system design in the most stringent space requirements. MacroTorr® Turbo Pumps can operate at higher foreline pressures, allowing the use of diaphragm roughing pumps, thus providing a completely clean, oil-free compact and cost effective pumping package.

Whenever a large amount of gas has to be pumped and higher throughput is needed, the combination of Turbo-V pumps and TriScroll® dry pumps is the state-of-the-art solution. All the Turbo-V Navigator pumps have the option of an on board controller, allowing easy plug and pump operation, or a rack-mounted controller for applications where the electronics need to be remotely placed (i.e. radioactive environments).

Analytical Instrumentation

Electron Microscopy (SEM, TEM), Focused Ion-beam Systems (FIB) and Surface Analysis

Modern focused-beam systems such as SEM's, TEM's and FIB's utilize columns that project electrons or ions onto microscopic samples for detailed analysis. End users analyze all types of substances from organic compounds to semiconductor wafers. In the Semiconductor industry, in particular, they require more sensitivity for better sample resolution. Another key requirement is high sample throughput in order to lower the cost of ownership of these instruments.

Based on these requirements, the demand for high performance vacuum pumps is greater than ever. Varian offers a full range of high and ultra-high vacuum pumps designed especially for the demanding requirements of SEM's, TEM's and surface analysis systems (Varian has a full range of ion pumps, which are key products for this application; please see ion pump section).

Turbo molecular pumps are also a key component in modern focused-beam systems because they offer fast, oil-free air evacuation of large sample chambers (oil-free operation is a key requirement of many modern analysis applications such as semiconductor manufacturing). From Varian's full range of turbo pumps, the focused-beam system designer can choose a pump size that offers the best chamber evacuation time with the best cost of ownership and compact size for use in limited space situations. Varian has a full line of customized, low vibration turbo pumps for the most sensitive microscopy applications. Finally, Varian has a full range of integrated pump controllers that offer the highest control flexibility with near zero electromagnetic noise generation.

Varian offers a full range of application specific designed SEM turbo pumps

including 300 l/s, 550 l/s, 700 l/s and 1000 l/s speeds. All of Varian's SEM turbo pumps designs can be verified in Varian's application lab. Finally, each SEM turbo pump is tested in production before being shipped to the customer.



Turbo-V Pump Typical Applications

Mass Spectrometry

Mass Spectrometry has become an important analytical tool in many industries including pharmaceuticals. Thanks to advances in electronics, instrument designers can implement cost-effective, high-performance analytical power in a cost-effective, easy-to-use system. These developments require advanced vacuum systems that are characterized by multi-chamber, high throughput designs on the high quality instruments. These requirements, in turn, demand cost-effective, high performance vacuum pumps.

Varian offers a full line of pumps and controllers that meet the most challenging vacuum requirements and are optimized for the specific requirements of modern mass spectrometry systems. Varian can further customize its pumps by providing multi-inlet pumping systems that are compact and reliable.

A few common application examples for mass spectrometry are listed below:



- **GC-MS**

Gas Chromatograph Mass Spectrometers typically use one vacuum chamber in relatively low gas load environments and an intermediate vacuum interface to analyze inorganic samples.

The Varian Turbo-V 70 with printed circuit board controller (PCB) is a very cost-effective solution for this common analytical technique. The V 301 Navigator offers a compact, cost-effective solution for larger instrument designs.

- **LC-MS**

Liquid Chromatograph Mass Spectrometers typically include multi-chamber, high throughput vacuum systems. Varian's Turbo-V301 and V 551 pumps are designed for high throughput operation with air cooling – an important benefit for maintaining a compact system. The V 301 and V 551 pumps are also available in several split flow versions to increase their utility and performance in this application. The integrated Navigator control system provides a high level of control function in a small package.

- **ICP-MS**

Inductively Coupled Plasma-MS systems have a wide range of vacuum requirements. Many systems can use heavy carrier gases such as argon, while collision cell designs use helium. The Turbo-V 301 Navigator has a high efficiency motor and MacroTorr® drag stages to reduce heat production under gas load. These features allow the V 301 to pump high levels of argon. The Navigator controller provides high controller function in a compact package.

- **TOF**

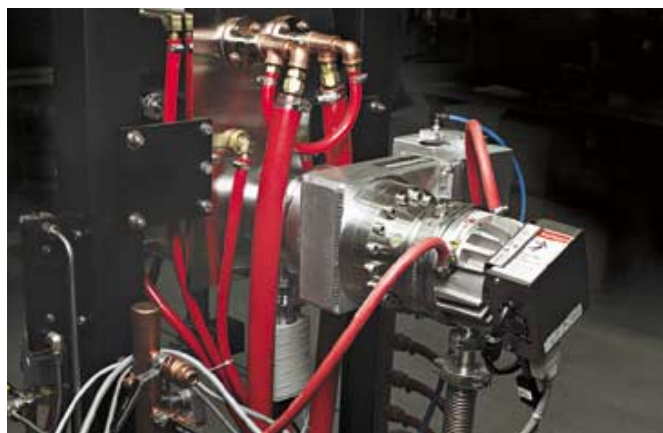
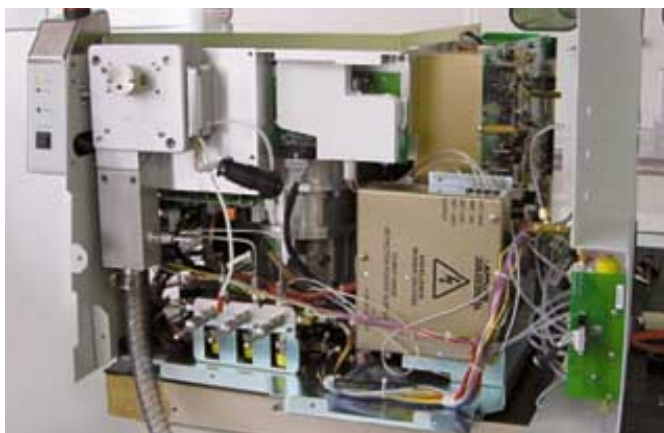
Time Of Flight systems are becoming very important analytical tools in drug discovery and proteomics. Vacuum requirements vary, although small size is often an important consideration. The Turbo V 301 Navigator pump and controller package provides the TOF designer with a high degree of flexibility with regard to high throughput, efficient heat dissipation and compact size.

Industrial Processes

The Turbo-V pumps are designed to meet the most demanding needs of the industrial market. They offer unmatched reliability, performance, and cleanliness. Designed to withstand heavy industrial use, Turbo-V pumps handle high gas loads and will recover quickly from accidental air in-rushes. With a complete range of turbo pumps from 70 to 6,000 l/s including the Navigator pumps with on board controllers, Varian has the right solution for your needs.

Thin Film Deposition:

- Glass coating equipment (architectural glass, automotive glass, flat panel display substrates)
- Thin film solar cells production (photo-voltaic)
- Optical data media (Compact Discs, Digital Versatile Discs, Magneto Optical Discs)
- Magnetic storage media (hard discs, read heads)
- Surface treatments (functional, decorative)
- Optical coating (ophthalmic, precision opto-electronics)
- Roll/Web coating on films or foils





Turbo
Pumps

Device Processing:

- TV & Monitor picture tube manufacture
- Evacuation of lamps (motorway lighting, beamers)
- X-Ray tubes & electron devices
- Medical accelerator tubes
- Lasers

General Industrial Processes:

- Vacuum furnaces / metallurgy
- Others

Industrial Thin Film Deposition Equipment

Our expertise with both OEMs and end users in the field of industrial vacuum equipment makes us the right partner for your Total Vacuum Solution. In single chamber batch systems, multiple chamber systems, with load locks, or large inline continuous systems, Varian Vacuum Technologies has the right turbo pump for your process requirements.

What really differentiates Varian is the expertise of its applications, support and custom system design staff to integrate these superior vacuum pumps into an optimized vacuum solution. Our experts will work with you to offer the right solutions to your particular vacuum requirements.

The Turbo-V 2K-G System:

- The first application-specific pumping solution designed for thin film deposition equipment
- The highest performing, most compact unit available
- The first fully integrated approach for maximum system productivity and uptime.



Pump Models

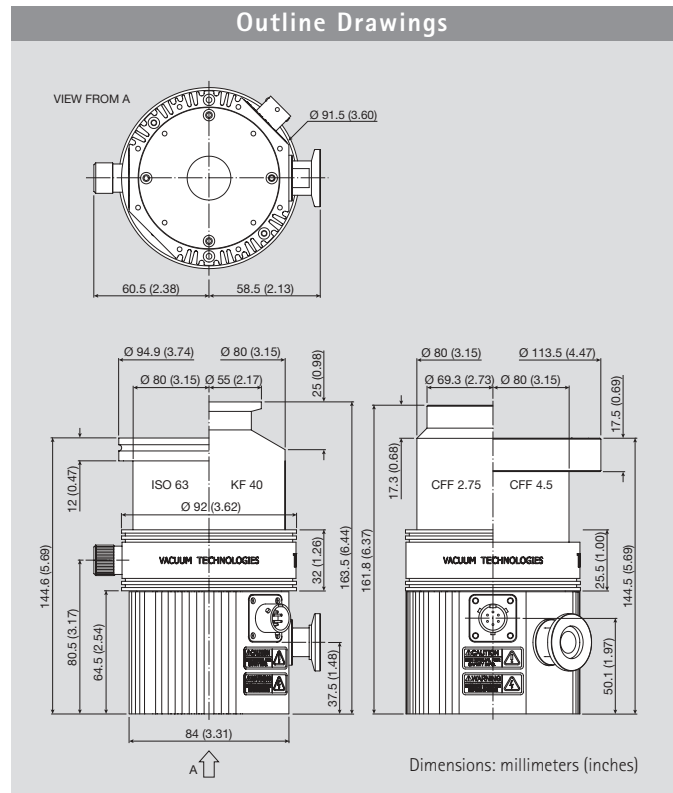
Pump Specification	Turbo-V 81 M		Turbo-V 81 T		Turbo-V 301 Navigator	
	DN 40	DN 63	DN 40	DN 63	DN 100	DN 160
Pumping Speed, l/s						
Nitrogen	50	77	50	77	250	280
Helium	56	65	56	65	220	230
Hydrogen	46	50	46	50	200	210
Compression Ratio						
Nitrogen	5×10^8	5×10^8	7×10^8	7×10^8	7×10^8	7×10^8
Helium	8×10^4	8×10^4	3×10^3	3×10^3	1×10^5	1×10^5
Hydrogen	7×10^3	7×10^3	3×10^2	3×10^2	1×10^4	1×10^4
Base pressure, mbar						
with recommended mechanical pump	5×10^{-10}	5×10^{-10}	5×10^{-9}	5×10^{-9}	$< 5 \times 10^{-10}$	$< 5 \times 10^{-10}$
with recommended dry pump	5×10^{-9}	5×10^{-9}	5×10^{-8}	5×10^{-8}	$< 5 \times 10^{-9}$	$< 5 \times 10^{-9}$
Startup Time, min						
	< 1	< 1	< 1	< 1	2.5	2.5
Rotational Speed, rpm						
	80,000	80,000	80,000	80,000	56,000	56,000
Recommended Forepump						
Two-stage mechanical pump	DS 42 - DS 102	DS 42 - DS 102	DS 42 - DS 102	DS 42 - DS 102	DS 102	DS 102
Dry pump	SH-110	SH-110	SH-110	SH-110	SH-110	SH-110
Inlet Flange, nominal diameter						
Klamp Flange, mm	40	-	40	-	-	-
ConFlat®, mm (inches OD)	35 (2.75)	63 (4.5)	35 (2.75)	63 (4.5)	100 (6)	160 (8)
ISO clamp style, mm	-	63	-	63	100	160
ISO-F bolted, mm	-	-	-	-	-	-
Foreline Flange, nominal diameter						
Klamp Flange	NW16	NW16	NW16	NW16	NW16	NW16
SEM Version Available on Request						
	-	-	-	-	•	•
Controllers						
Rack Controller	•	•	•	•	•	•
Navigator on board Controller	•	•	•	•	•	•
Integrated Electronics	-	-	-	-	-	-
PCB Controller	•	•	•	•	•	•



Turbo-V 551 Navigator		Turbo-V 701 Navigator		Turbo-V 1001 Navigator			Turbo-V 3K-T System	Turbo-V 2K-G System
DN 100	DN 160	DN 200		DN 160	DN 200	DN 250	DN 250	DN 250
350	550	690		790	950	1,050	2,050	1,600
450	600	620		820	870	900	2,400	
450	510	510		860	900	920	2,300	
$> 1 \times 10^9$	$> 1 \times 10^9$	1×10^9		1×10^9	1×10^9	1×10^9	1×10^9	3×10^5
1×10^7	1×10^7	1×10^7		1×10^7	1×10^7	1×10^7	1.2×10^5	
1×10^6	1×10^6	1×10^6		1×10^6	1×10^6	1×10^6	1.5×10^4	
$< 1 \times 10^{-10}$	$< 1 \times 10^{-10}$	$< 1 \times 10^{-10}$		$< 1 \times 10^{-10}$	$< 1 \times 10^{-10}$	$< 1 \times 10^{-10}$	$< 1 \times 10^{-9}$	$< 1 \times 10^{-8}$
$< 1 \times 10^{-10}$	$< 1 \times 10^{-10}$	$< 1 \times 10^{-10}$		$< 1 \times 10^{-10}$	$< 1 \times 10^{-10}$	$< 1 \times 10^{-10}$	$< 1 \times 10^{-9}$	$< 1 \times 10^{-8}$
< 5	< 5	< 5		< 4	< 4	< 4	< 9	< 7
42,000	42,000	42,000		38,000	38,000	38,000	31,800	33,000
DS 302 TS300	DS 302 TS300	DS 402 TS300		DS 402 TS300	DS 402 TS300	DS 402 TS300	$> 50 \text{ m}^3/\text{h}$	$> 40 \text{ m}^3/\text{h}$
-	-	-		-	-	-	-	-
100 (6)	160 (8)	200 (10)		-	200 (10)	-	250 (12)	-
-	160	200		160	200	250	-	-
-	160-F bolted	200-F bolted		-	200-F bolted	250-F bolted	250-F bolted	250-F bolted
NW25	NW25	NW25		NW40	NW40	NW40	NW40	NW40
•	•	•		•	•	•	-	-
•	•	•		•	•	•	-	-
•	•	•		•	•	•	•	•
-	-	-		-	-	-	-	-
-	-	-		-	-	-	-	-



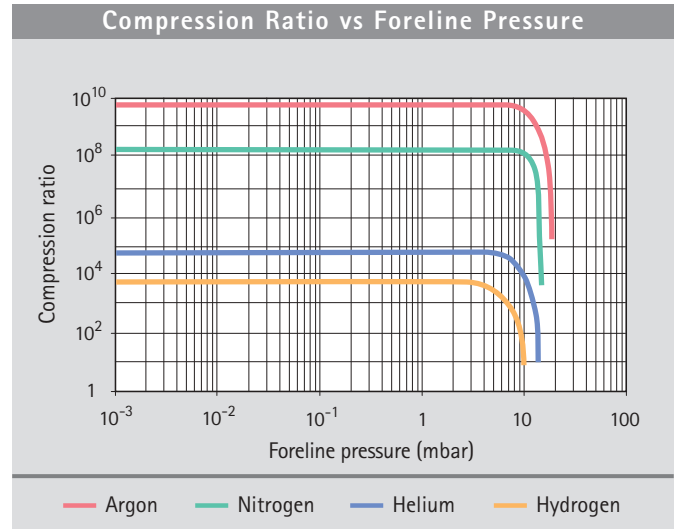
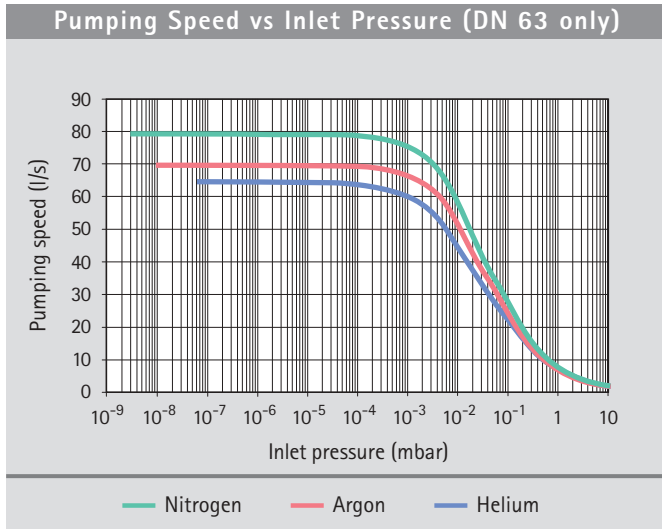
Turbo-V 81-M



Technical Specifications

Pumping speed (l/s)			
With CF 4 1/2" or ISO 63:	N ₂ : 77 l/s	He: 65 l/s	H ₂ : 50 l/s
With CF 2 3/4" or KF 40:	N ₂ : 50 l/s	He: 56 l/s	H ₂ : 46 l/s
Compression ratio	N ₂ : 5 x 10 ⁸	He: 8 x 10 ⁴	H ₂ : 7 x 10 ³
Base pressure* (with recommended forepump)	5 x 10 ⁻¹⁰ mbar (3.8 x 10 ⁻¹⁰ Torr)		
Inlet flange	CF 4 1/2" O.D. CF 2 3/4" O.D.	ISO 63 KF 40	
Foreline flange		KF 16 NW	
Rotational speed		1350 Hz (max)	
Start-up time		< 60 seconds	
Recommended forepump		Mechanical: Varian DS 42 - DS 102 Dry pump: Varian SH 100	
Operating position		Any	
Cooling requirements		Natural air convection Forced air or water optional	
Bakeout temperature		120 °C at inlet flange max. (CF flange) 80 °C at inlet flange max. (ISO flange)	
Vibration level (displacement)		<0.01 µm at inlet flange	
Weight kg (lbs)		ISO 63: 2 (4.4) CF 4 1/2": 2,98 (6.57)	

* According to standard DIN 28 428.

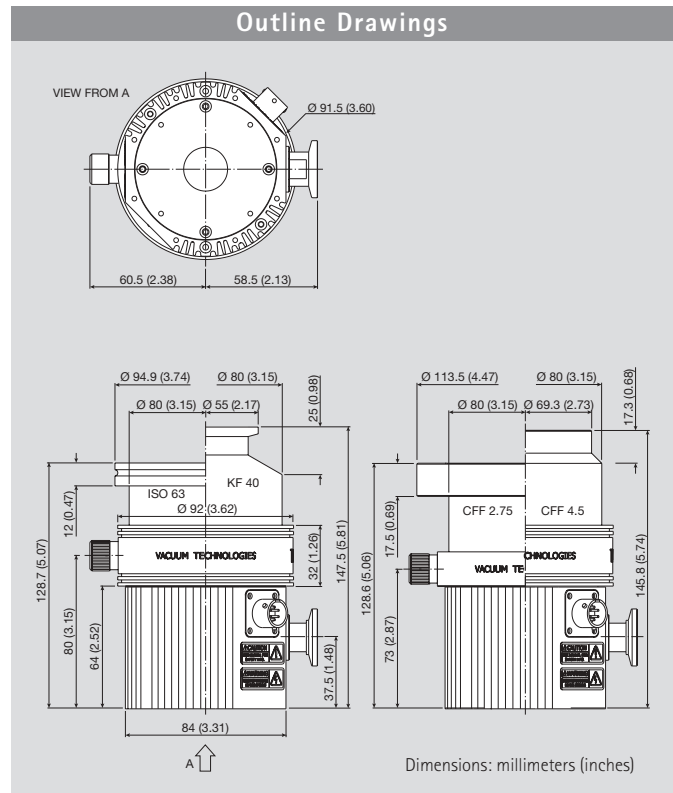


Ordering Information

Description	Weight kg (lbs)	Part Number
Pumps		
Turbo-V 81-M pump with ISO 63 inlet flange	2.0 (4.4)	9698901
Turbo-V 81-M pump with CF 4 1/2" inlet flange	2.98 (6.57)	9698903
Turbo-V 81-M pump with KF 40 inlet flange	2.0 (4.4)	9698902
Turbo-V 81-M pump with CF 2 3/4" inlet flange	2.98 (6.57)	9698904
Controllers		
Rack controller 81-AG base	1.7 (3.2)	9698988
Rack controller 81-AG RS232/485	1.7 (3.2)	9698989
Rack controller 81-AG Profibus	1.7 (3.2)	9698990
PCB 24 V	1.0 (2.2)	9699538
Accessories		
Inlet screen, DN 40	0.5 (1.0)	9699309
Inlet screen, DN 63	0.5 (1.0)	9699300
Heater band 220 V	1.0 (2.2)	9699801
Heater band 120 V	1.0 (2.2)	9699802
Metallic water cooling kit	0.5 (1.0)	9699823
Plastic water cooling kit	0.5 (1.0)	9699824
Air cooling kit (0.5 m cable)	2.2 (5.0)	9699290
Air cooling kit extension cable (5 m)	2.2 (5.0)	9699940
Pump extension cable	2.2 (5.0)	9699942
Vibration damper DN 63	0.5 (1.0)	9699340
Vibration damper CFF 4.5"	0.5 (1.0)	969-9376
Mechanical pump DS 102	22.0 (48.0)	9499315
Mechanical pump DS 42	11.0 (24.0)	9499309
Dry scroll SH 110	19.0 (43.0)	SH01101 UNIV

Turbo Pumps

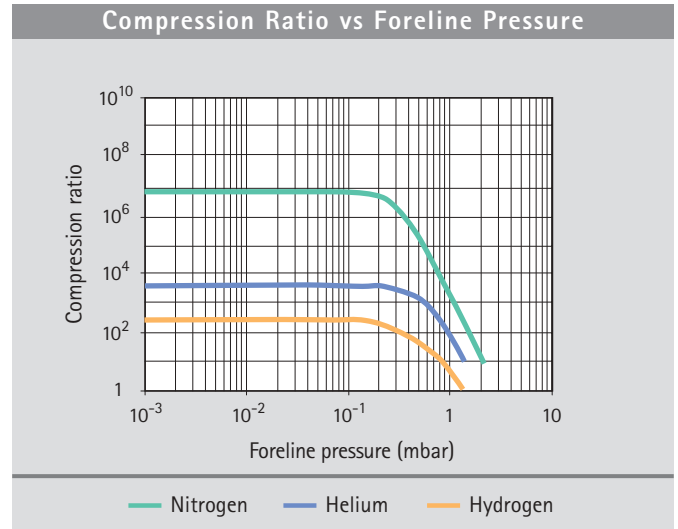
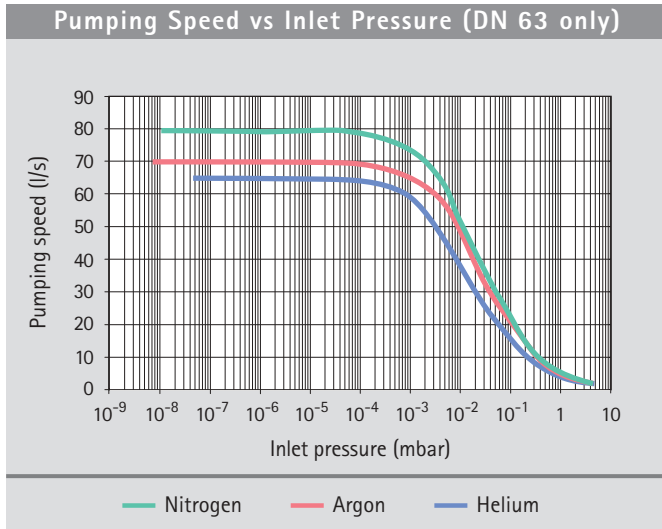
Turbo-V 81-T



Technical Specifications

Pumping speed (l/s)			
With CF 4 1/2" or ISO 63:	N ₂ : 77 l/s	He: 65 l/s	H ₂ : 50 l/s
With CF 2 3/4" or KF 40:	N ₂ : 50 l/s	He: 56 l/s	H ₂ : 46 l/s
Compression ratio	N ₂ : >7 x 10 ⁶	He: 3 x 10 ³	H ₂ : 3 x 10 ²
Base pressure* (with recommended forepump)	5 x 10 ⁻⁹ mbar (3.8 x 10 ⁻⁹ Torr)		
Inlet flange	CF 4 1/2" O.D. CF 2 3/4" O.D.	ISO 63 KF 40	
Foreline flange		KF 16 NW	
Rotational speed		1350 Hz (max)	
Start-up time		< 60 seconds	
Recommended forepump		Mechanical: Varian DS 42 - DS 102 Dry pump: Varian SH 100	
Operating position		Any	
Cooling requirements		Natural air convection Forced air or water optional	
Bakeout temperature		120 °C at inlet flange max. (CF flange) 80 °C at inlet flange max. (ISO flange)	
Vibration level (displacement)		<0.01 µm at inlet flange	
Weight kg (lbs)		ISO 63: 1,82 (4) CF 4 1/2": 2,68 (5.90)	

* According to standard DIN 28 428.

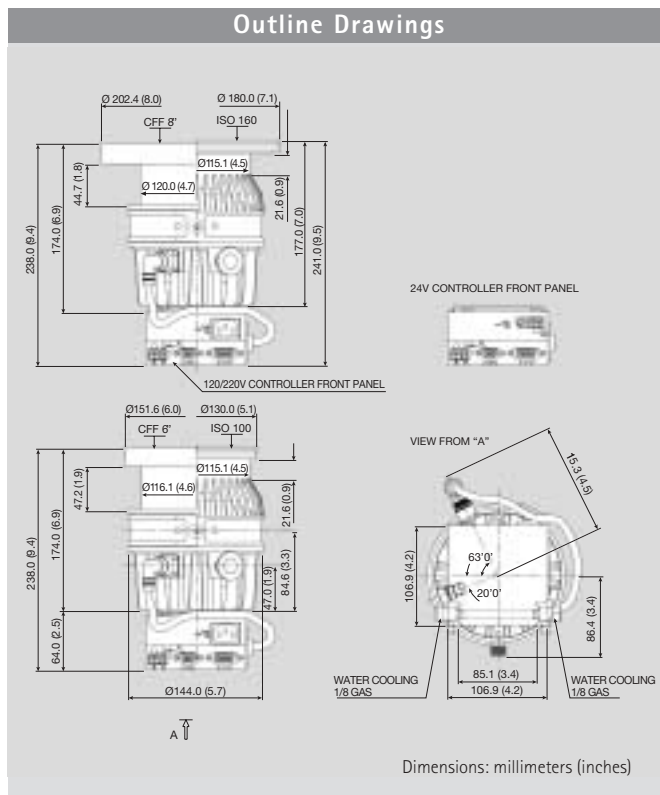


Ordering Information

Description	Weight kg (lbs)	Part Number
Pumps		
Turbo-V 81-T pump with ISO 63 inlet flange	1.82 (4.0)	9698905
Turbo-V 81-T pump with CF 4 1/2" inlet flange	2.68 (5.9)	9698907
Turbo-V 81-T pump with KF 40 inlet flange	1.82 (4.0)	9698906
Turbo-V 81-T pump with CF 2 3/4" inlet flange	2.68 (5.9)	9698908
Controllers		
Rack controller 81-AG base	1.7 (3.2)	9698988
Rack controller 81-AG RS232/485	1.7 (3.2)	9698989
Rack controller 81-AG Profibus	1.7 (3.2)	9698990
PCB 24 V	1.0 (2.2)	9699538
Accessories		
Inlet screen, DN 40	0.5 (1.0)	9699309
Inlet screen, DN 63	0.5 (1.0)	9699300
Heater band 220 V	1.0 (2.2)	9699801
Heater band 120 V	1.0 (2.2)	9699802
Metallic water cooling kit	0.5 (1.0)	9699823
Plastic water cooling kit	0.5 (1.0)	9699824
Air cooling kit (0.5 m cable)	2.2 (5.0)	9699290
Air cooling kit extension cable (5 m)	2.2 (5.0)	9699940
Pump extension cable	2.2 (5.0)	9699942
Vibration damper DN 63	0.5 (1.0)	9699340
Vibration damper CFF 4.5"	0.5 (1.0)	969-9376
Mechanical pump DS 102	22.0 (48.0)	9499315
Mechanical pump DS 42	11.0 (24.0)	9499309
Dry scroll SH 110	19.0 (43.0)	SH01101 UNIV

Turbo Pumps

Turbo-V 301 Navigator

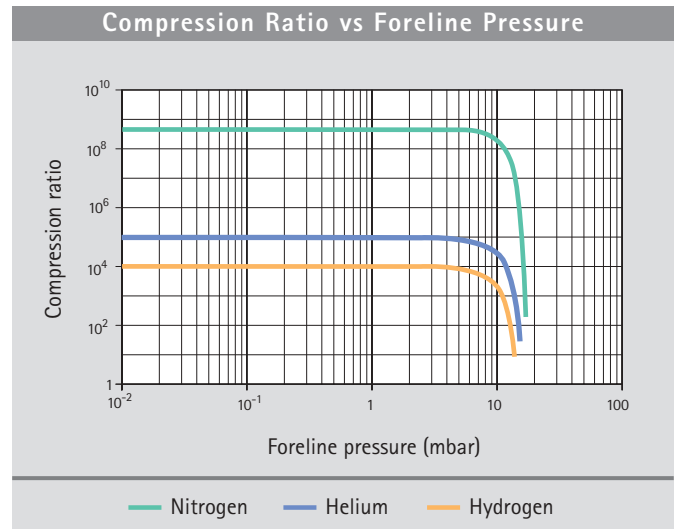
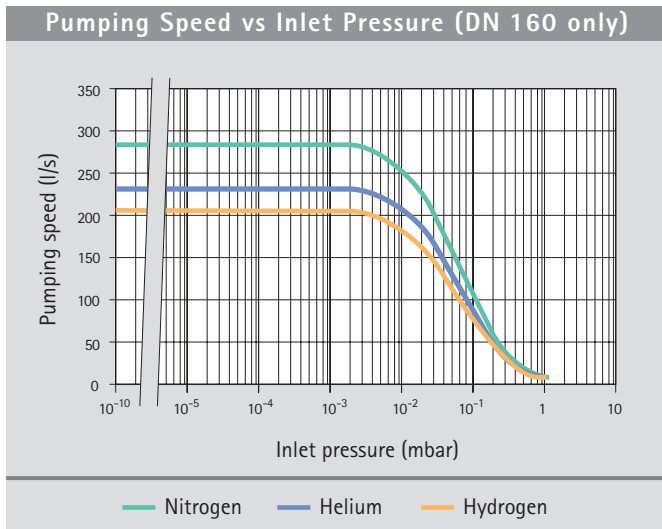


Technical Specifications

Pumping speed			
With CF 8" or ISO 160:	N ₂ : 280 l/s	He: 230 l/s	H ₂ : 210 l/s
With CF 6" or ISO 100:	N ₂ : 250 l/s	He: 220 l/s	H ₂ : 200 l/s
Compression ratio	N ₂ : 7 x 10 ⁸	He: 1 x 10 ⁵	H ₂ : 1 x 10 ⁴
Base pressure * (with recommended forepump)	mechanical: < 5 x 10 ⁻¹⁰ mbar (< 3.75 x 10 ⁻¹⁰ Torr) dry: < 5 x 10 ⁻⁹ mbar (< 3.75 x 10 ⁻⁹ Torr)		
Inlet flange	CF 8" O.D.	ISO 160	
	CF 6" O.D.	ISO 100	
Foreline flange	KF16 (KF25 optional)		
Rotational speed	56,000 rpm		
Start-up time	< 3 minutes		
Recommended forepump	Mechanical: Varian DS 102 Dry scroll: Varian SH-100		
Operating position	Any		
Cooling requirements	Natural air convection Forced air or water optional		
Bakeout temperature	120 °C at inlet flange max. (CF flange) 80 °C at inlet flange max. (ISO flange)		
Vibration level (displacement)	<0.01 μm at inlet flange		
Weight kg (lbs)			
Kit: (Pump + Navigator controller)	ISO 100 and 160: 4.5 (10) CF 6" and 8": 8 (17.6) 1 (2.2)		
Navigator controller	4,5 (10)		
1/4 Rack controller			

* According to PNEUROP 5608.

SEM version available on request



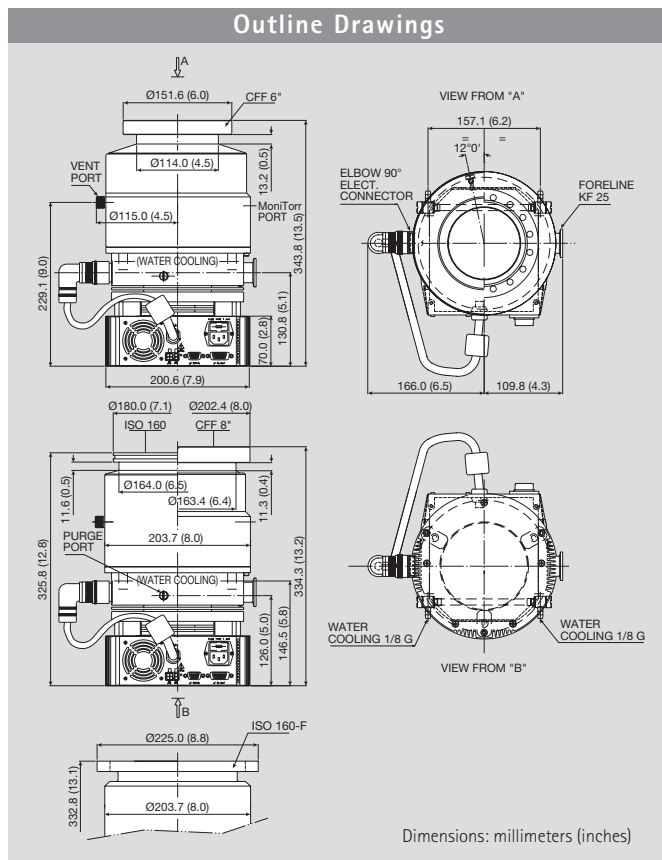
Ordering Information

Description	Weight kg (lbs)	Part Number
Complete Systems (Pump + Navigator Controller)		
Turbo-V 301 Navigator complete system, ISO 100, 24 Vdc	4.5 (10.0)	9698824
Turbo-V 301 Navigator complete system, CF 6", 24 Vdc	8.0 (17.6)	9698825
Turbo-V 301 Navigator complete system, ISO 160, 24 Vdc	4.5 (10.0)	9698826
Turbo-V 301 Navigator complete system, CF 8", 24 Vdc	8.0 (17.6)	9698827
Turbo-V 301 Navigator complete system, ISO 100, 120/220 Vac	4.5 (10.0)	9698828
Turbo-V 301 Navigator complete system, CF 6", 120/220 Vac	8.0 (17.6)	9698829
Turbo-V 301 Navigator complete system, ISO 160, 120/220 Vac	4.5 (10.0)	9698830
Turbo-V 301 Navigator complete system, CF 8", 120/220 Vac	8.0 (17.6)	9698831
<i>Complete system includes: Pump, Inlet screen, Navigator controller, 2 Mains cables (NEMA plug and European plug), Serial cable and Navigator software, Bracket for side mounting</i>		
Pumps		
Turbo-V 301 Navigator pump, ISO 100	4.2 (9.2)	9698918
Turbo-V 301 Navigator pump, CF 6"	7.7 (16.8)	9698919
Turbo-V 301 Navigator pump, ISO 160	4.2 (9.2)	9698920
Turbo-V 301 Navigator pump, CF 8"	7.7 (16.8)	9698921
Controllers		
Turbo-V 301 Navigator controller, 24 Vdc	1.0 (2.2)	9698972
Turbo-V 301 Navigator controller, 120/220 Vac	1.0 (2.2)	9698973
Turbo-V 301 1/4 Rack controller, 220 V	4.5 (10.0)	9699437
Turbo-V 301 1/4 Rack controller, 110 V	4.5 (10.0)	9699537

Description	Weight kg (lbs)	Part Number
Accessories		
Mains cable NEMA plug, 3m long	0.5 (1.0)	9699958
Mains cable European plug, 3m long	0.5 (1.0)	9699957
Serial cable and T-plus Software	0.5 (1.0)	9699883
<i>(previous release Navigator 2.2 included in the CD)</i>		
Inlet Screen DN100	0.5 (1.0)	9699302
Inlet Screen DN160	0.5 (1.0)	9699304
Heater band 120 Vac	1.0 (2.0)	9699804
Heater band 220 Vac	1.0 (2.0)	9699803
Water cooling kit	0.5 (1.0)	9699337
Plastic water cooling kit	0.5 (1.0)	9699347
Air cooling kit	3.0 (7.0)	9699299
Fan extension cable	0.5 (1.0)	9699949
<i>(to be used when the pump is supplied by rack controller 9699437 or 9699537)</i>		
Bracket for Navigator controller side mouting	2.0 (4.0)	9699970
Vibration damper ISO 100	3.0 (7.0)	9699344
Vibration damper CF 6"	3.0 (7.0)	9699334
Vibration damper ISO 160	4.0 (9.0)	9699345
Vibration damper CF 8"	4.0 (9.0)	9699335
Vent flange, NW 10 KF / M8	0.5 (1.0)	9699108
Vent device with adjustable delay time for standard rack controller	2.0 (4.0)	9699831
Vent valve for standard rack controller	2.0 (4.0)	9699843
Vent valve for Navigator controller	2.0 (4.0)	9699834
Purge valve 10 SCCM NW16KF - M12	0.2 (0.5)	9699239
Purge valve 10 SCCM 1/4 Swagelok - M12	0.2 (0.5)	9699240
Purge valve 20 SCCM NW16KF - M12	0.2 (0.5)	9699241
Purge valve 20 SCCM 1/4 Swagelok - M12	0.2 (0.5)	9699242
Purge valve 10 SCCM 1/4 Swagelok - 1/4 Swagelok	0.2 (0.5)	9699232
Purge valve 20 SCCM 1/4 Swagelok - 1/4 Swagelok	0.2 (0.5)	9699236
Foreline flange KF25 1/4 gas	0.2 (0.5)	9699130

Turbo Pumps

Turbo-V 551 Navigator



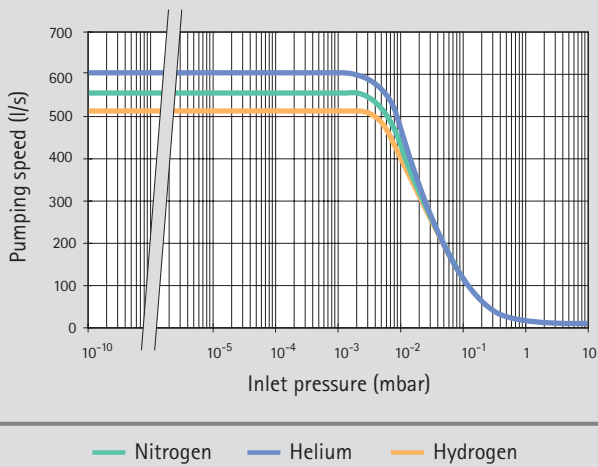
Technical Specifications

Pumping speed (with inlet screen)			
CF 6":	N ₂ : 350 l/s	He: 450 l/s	H ₂ : 450 l/s
CF 8" or ISO 160:	N ₂ : 550 l/s	He: 600 l/s	H ₂ : 510 l/s
Compression ratio	N ₂ : 1 x 10 ⁹	He: 1 x 10 ⁷	H ₂ : 1 x 10 ⁶
Base pressure *(with minimum recommended forepump)	< 1 x 10 ⁻¹⁰ mbar (< 1 x 10 ⁻¹⁰ Torr)		
Inlet flange	CF 6"	ISO 160	
	CF 8"	ISO 160-F bolted	
Foreline flange			KF 25
Rotational speed			42,000 rpm
Start-up time			<5 minutes
Recommended forepump			Mechanical: Varian DS 302 Dry scroll: Varian TS300
Operating position			Any
Cooling requirements			Natural air convection Water optional (use water with electrical conductivity ≤ 500 μS/cm)
Bakeout temperature			120 °C at inlet flange max. (CF flange) 80 °C at inlet flange max. (ISO flange)
Vibration level (displacement)			<0.01 μm at inlet flange
Weight kg (lbs)			ISO flange 19.4 (43.0) CF flange 23.4 (51.6)

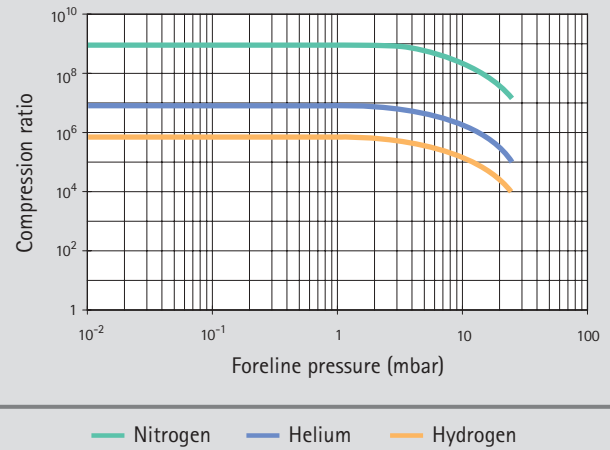
* According to PNEUROP 5608.

SEM version available on request

Pumping Speed vs Inlet Pressure (DN 160 only)



Compression Ratio vs Foreline Pressure



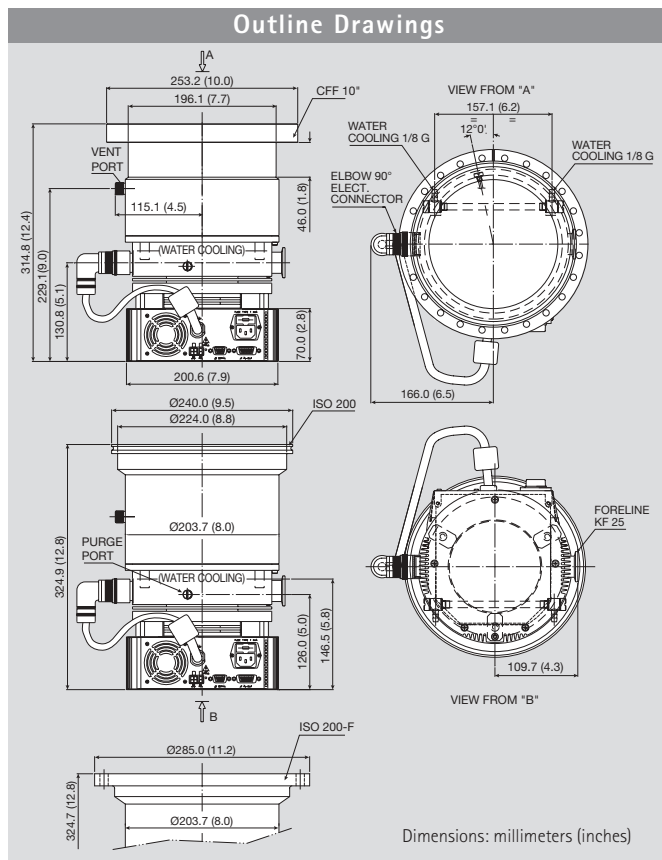
Ordering Information

Description	Weight kg (lbs)	Part Number
Complete Systems		
Turbo-V 551 Navigator complete system, ISO 160 flange	19.4 (43.0)	9698832
Turbo-V 551 Navigator complete system, ISO 160-F bolted flange	23.4 (51.6)	9698842
Turbo-V 551 Navigator complete system, 6" CF flange	23.4 (51.6)	9698835
Turbo-V 551 Navigator complete system, 8" CF flange	23.4 (51.6)	9698833
<i>Complete system includes: Pump, Inlet screen, Controller mounted on the bottom, 2 Mains cables (NEMA plug and European plug).</i>		
Pumps		
Turbo-V 551 Navigator pump, ISO 160 flange	16.0 (35.0)	9698922
Turbo-V 551 Navigator pump, ISO 160-F bolted flange	22.0 (49.0)	9698944
Turbo-V 551 Navigator pump, 6" CF flange	22.0 (49.0)	9698925
Turbo-V 551 Navigator pump, 8" CF flange	22.0 (49.0)	9698923
Controllers		
Turbo-V 551 Navigator controller 120/220 V - 50/60 Hz	3.0 (6.0)	9698976
Turbo-V 550 Rack controller, 220 V	15.7 (35.0)	9699444
Turbo-V 550 Rack controller, 110 V	15.7 (35.0)	9699544

Description	Weight kg (lbs)	Part Number
Accessories		
Mains cable NEMA plug, 3 m long	0.5 (1.0)	9699958
Mains cable European plug, 3 m long	0.5 (1.0)	9699957
Serial cable and T-plus Software <i>(previous release Navigator 2.2 included in the CD)</i>	0.5 (1.0)	9699883
Inlet screen DN 100	0.5 (1.0)	9699302
Inlet screen DN 160	0.5 (1.0)	9699304
Heater band, 220 V	1.0 (2.0)	9699807
Heater band, 120 V	1.0 (2.0)	9699808
Water cooling kit	0.5 (1.0)	9699337
Plastic water cooling kit	0.5 (1.0)	9699347
Air cooling kit for use with Navigator controller	4.5 (10.0)	9699339
Air cooling kit for use with standard rack controller	3.0 (7.0)	9699314
Bracket for Navigator controller side mouting	2.0 (4.0)	9699349
Vibration damper CF 6"	3.0 (7.0)	9699334
Vibration damper ISO 160	4.0 (9.0)	9699345
Vibration damper CF 8"	4.0 (9.0)	9699335
Vent flange, NW 10 KF / M8	0.5 (1.0)	9699108
Vent device with adjustable delay time for standard rack controller	2.0 (4.0)	9699831
Vent valve for standard rack controller	2.0 (4.0)	9699843
Vent valve for Navigator controller	2.0 (4.0)	9699834
Purge valve 10 SCCM NW16KF - M12	0.2 (0.5)	9699239
Purge valve 10 SCCM 1/4 Swagelok - M12	0.2 (0.5)	9699240

Turbo Pumps

Turbo-V 701 Navigator



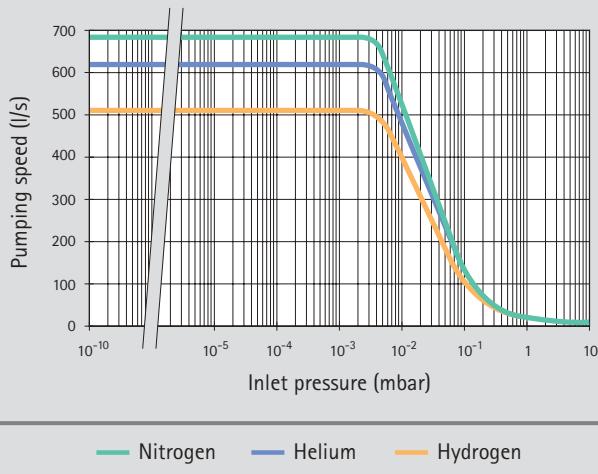
Technical Specifications

Pumping speed (with inlet screen) CF 10" or ISO 200:	N ₂ : 690 l/s	He: 620 l/s	H ₂ : 510 l/s
Compression ratio	N ₂ : 1 x 10 ⁹	He: 1 x 10 ⁷	H ₂ : 1 x 10 ⁶
Base pressure *(with minimum recommended forepump)	$< 1 \times 10^{-10}$ mbar ($< 1 \times 10^{-10}$ Torr)		
Inlet flange	CF 10"	ISO 200	ISO 200-F bolted
Foreline flange	KF 25		
Rotational speed	42,000 rpm		
Start-up time	<5 minutes		
Recommended forepump	Mechanical: Varian DS 402 Dry scroll: Varian TS300		
Operating position	Any		
Cooling requirements	Natural air convection Water optional (use water with electrical conductivity $\leq 500 \mu\text{S/cm}$)		
Bakeout temperature	120 °C at inlet flange max. (CF flange) 80 °C at inlet flange max. (ISO flange)		
Vibration level (displacement)	$< 0.01 \mu\text{m}$ at inlet flange		
Weight kg (lbs)	ISO flange 19.4 (43.0) CF flange 25.5 (54.2)		

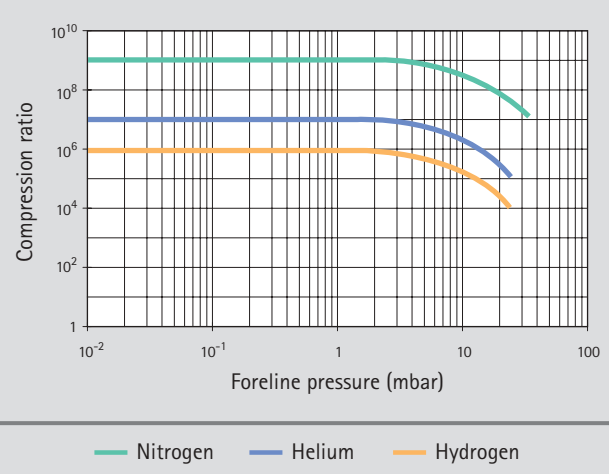
* According to PNEUROP 5608.

SEM version available on request

Pumping Speed vs Inlet Pressure (DN 200 only)



Compression Ratio vs Foreline Pressure

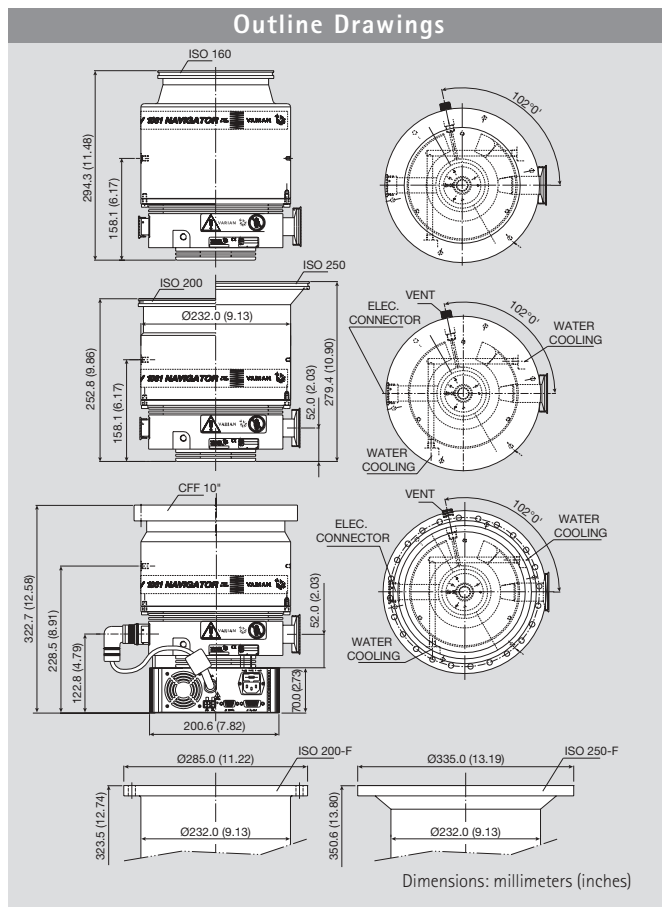


Ordering Information

Description	Weight kg (lbs)	Part Number
Complete Systems		
Turbo-V 701 Navigator complete system, ISO 200 flange	19.0 (43.0)	9698836
Turbo-V 701 Navigator complete system, ISO 200-F bolted flange	25.0 (56.0)	9698843
Turbo-V 701 Navigator complete system, 10" CF flange	25.0 (56.0)	9698837
<i>Complete system includes: Pump, Inlet screen, Controller mounted on the bottom, 2 Mains cables (NEMA plug and European plug).</i>		
Pumps		
Turbo-V 701 Navigator pump, ISO 200	16.0 (35.0)	9698926
Turbo-V 701 Navigator pump, ISO 200-F bolted	22.0 (49.0)	9698945
Turbo-V 701 Navigator pump, 10" CF	22.0 (49.0)	9698927
Controllers		
Turbo-V 701 Navigator controller 120/220 V - 50/60 Hz	3.0 (6.0)	9698977
Turbo-V 700HT Rack controller, 220 V	16.0 (35.0)	9699445
Turbo-V 700HT Rack controller, 110 V	16.0 (35.0)	9699545
Accessories		
Mains cable NEMA plug, 3 m long	0.5 (1.0)	9699958
Mains cable European plug, 3 m long	0.5 (1.0)	9699957
Serial cable and T-plus Software <i>(previous release Navigator 2.2 included in the CD)</i>	0.5 (1.0)	9699883
Inlet screen DN 200	0.5 (1.0)	9699316
Heater band, 220 V	1.0 (2.0)	9699807
Heater band, 120 V	1.0 (2.0)	9699808
Water cooling kit	0.5 (1.0)	9699337
Plastic water cooling kit	0.5 (1.0)	9699347
Air cooling kit for use with Navigator controller	5.0 (10.0)	9699339
Air cooling kit for use with standard rack controller	3.0 (7.0)	9699314
Bracket for Navigator controller side mounting	2.0 (4.0)	9699349
Vibration damper, ISO 200	5.0 (10.0)	9699346
Vibration damper, CF 10"	5.0 (10.0)	9699336
Vent flange, NW 10 KF / M8	0.5 (1.0)	9699108
Vent device with adjustable delay time for standard rack controller	2.0 (4.0)	9699831
Vent valve for standard rack controller	2.0 (4.0)	9699843
Vent valve for Navigator controller	2.0 (4.0)	9699834
Purge valve 10 SCCM NW16KF - M12	0.2 (0.5)	9699239
Purge valve 10 SCCM 1/4 Swagelok - M12	0.2 (0.5)	9699240

Turbo Pumps

Turbo-V 1001 Navigator

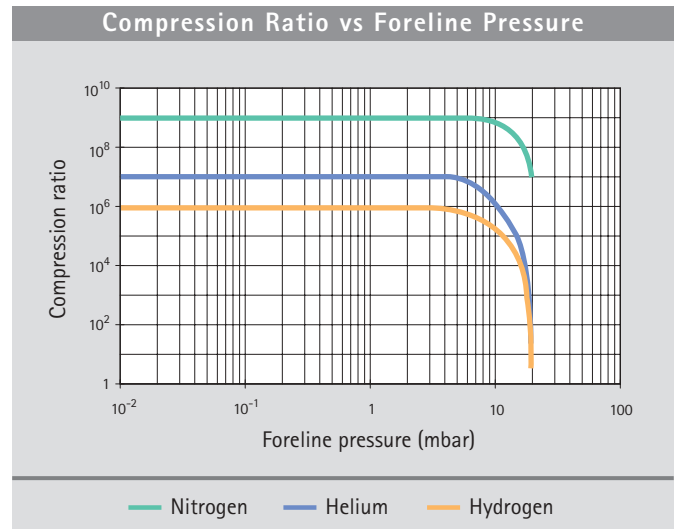
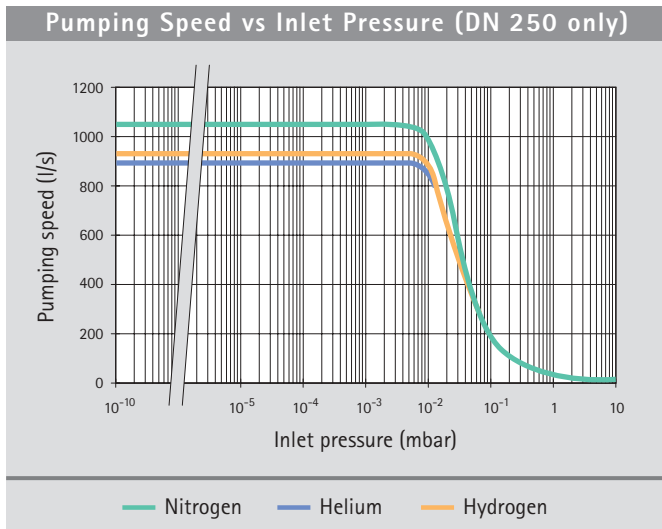


Technical Specifications

Pumping speed (with inlet screen)						
ISO 160:		N ₂ : 790 l/s	He: 820 l/s	H ₂ : 860 l/s		
CF 10" or ISO 200:		N ₂ : 950 l/s	He: 870 l/s	H ₂ : 900 l/s		
ISO 250:		N ₂ : 1,050 l/s	He: 900 l/s	H ₂ : 920 l/s		
Compression ratio						
ISO 160		N ₂ : 1 x 10 ⁹	He: 1 x 10 ⁷	H ₂ : 1 x 10 ⁶		
CF 10"/ISO 200 - ISO 250		N ₂ : 1 x 10 ⁹	He: 1 x 10 ⁷	H ₂ : 1 x 10 ⁶		
Base pressure* (with recommended forepump)		$< 1 \times 10^{-10}$ mbar ($< 1 \times 10^{-10}$ Torr)				
Inlet flange	ISO 160	ISO 200	ISO 200-F bolted	CF 10"	ISO 250	ISO 250-F bolted
Foreline flange				KF 40		
Rotational speed				38,000 rpm		
Start-up time				<4 minutes		
Recommended forepump				Mechanical: Varian DS 402 Dry scroll: Varian TS300		
Operating position				Any		
Cooling requirements				Forced air or water		
Bakeout temperature				120 °C at inlet flange max. (CF flange) 80 °C at inlet flange max. (ISO flange)		
Vibration level (displacement)				< 0.01 µm at inlet flange		
Weight kg (lbs)						
ISO 160 flange						19 (41.8)
ISO 200 flange						19.4 (43.0)
CF 10" flange						25.5 (54.2)
ISO 250 flange						21.2 (46.6)

* According to PNEUROP 5608.

SEM version available on request



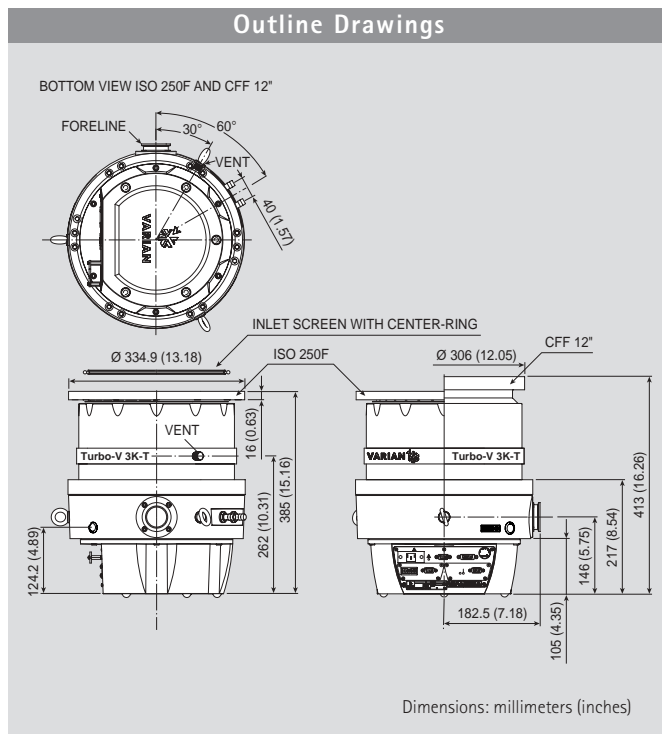
Ordering Information

Description	Weight kg (lbs)	Part Number
Complete Systems		
Turbo-V 1001 Navigator complete system, ISO 160 flange	24.4 (53.8)	9698840
Turbo-V 1001 Navigator complete system, ISO 200 flange	24.8 (55.0)	9698838
Turbo-V 1001 Navigator complete system, ISO 200-F bolted flange	30.9 (66.2)	9698844
Turbo-V 1001 Navigator complete system, 10" CF flange	30.9 (66.2)	9698839
Turbo-V 1001 Navigator complete system, ISO 250 flange	26.6 (58.6)	9698841
Turbo-V 1001 Navigator complete system, ISO 250-F bolted flange	30.9 (66.2)	9698845
<i>Complete system includes: Pump, Inlet screen, Controller mounted on the bottom, 2 Mains cables (NEMA plug and European plug).</i>		
Pumps		
Turbo-V 1001 Navigator pump, ISO 160 flange	19.0 (41.8)	9698933
Turbo-V 1001 Navigator pump, ISO 200 flange	19.4 (43.0)	9698931
Turbo-V 1001 Navigator pump, ISO 200-F bolted flange	25.5 (54.2)	9698946
Turbo-V 1001 Navigator pump, 10" CF flange	25.5 (54.2)	9698932
Turbo-V 1001 Navigator pump, ISO 250 flange	21.2 (46.6)	9698934
Turbo-V 1001 Navigator pump, ISO 250-F bolted flange	25.5 (54.2)	9698947
Controllers		
Turbo-V 1001 Navigator controller 120/220 V - 50/60 Hz	5.4 (12.0)	9698978
Turbo-V 1000HT Rack controller, 220 V	15.7 (35.0)	9699454
Turbo-V 1000HT Rack controller, 110 V	15.7 (35.0)	9699554

Description	Weight kg (lbs)	Part Number
Accessories		
Mains cable NEMA plug, 3 m long	0.5 (1.0)	9699958
Mains cable European plug, 3 m long	0.5 (1.0)	9699957
Serial cable and T-plus Software (previous release Navigator 2.2 included in the CD)	0.5 (1.0)	9699883
Inlet screen DN 160	0.5 (1.0)	9699304
Inlet screen DN 200	0.5 (1.0)	9699316
Inlet screen DN 250	0.5 (1.0)	9699350
Heater band, 220 V	1.0 (2.0)	9699327
Heater band, 120 V	1.0 (2.0)	9699317
Water cooling kit	0.5 (1.0)	9699337
Plastic water cooling kit	0.5 (1.0)	9699347
Air cooling kit for use with Navigator controller	4.5 (10.0)	9699297
Air cooling kit for use with standard rack controller	3.0 (7.0)	9699315
Bracket for Navigator controller side mouting	2.0 (4.0)	9699298
Vibration damper ISO 160	4.0 (9.0)	9699345
Vibration damper, ISO 200	5.0 (10.0)	9699346
Vibration damper, CF 10"	5.0 (10.0)	9699336
Vent flange, NW 10 KF / M8	0.5 (1.0)	9699108
Vent device with adjustable delay time for standard rack controller	2.0 (4.0)	9699831
Vent valve for standard rack controller	2.0 (4.0)	9699843
Vent valve for Navigator controller	2.0 (4.0)	9699834
Purge valve 10 SCCM NW16KF - M12	0.2 (0.5)	9699239
Purge valve 10 SCCM 1/4 Swagelok - M12	0.2 (0.5)	9699240
Purge valve 20 SCCM NW16KF - M12	0.2 (0.5)	9699241
Purge valve 20 SCCM 1/4 Swagelok - M12	0.2 (0.5)	9699242
Purge valve 10 SCCM 1/4 Swagelok 1/4 Swagelok	0.2 (0.5)	9699232
Purge Valve 20 SCCM 1/4 Swagelok 1/4 Swagelok	0.2 (0.5)	9699236

Turbo Pumps

Turbo-V 3K-T System



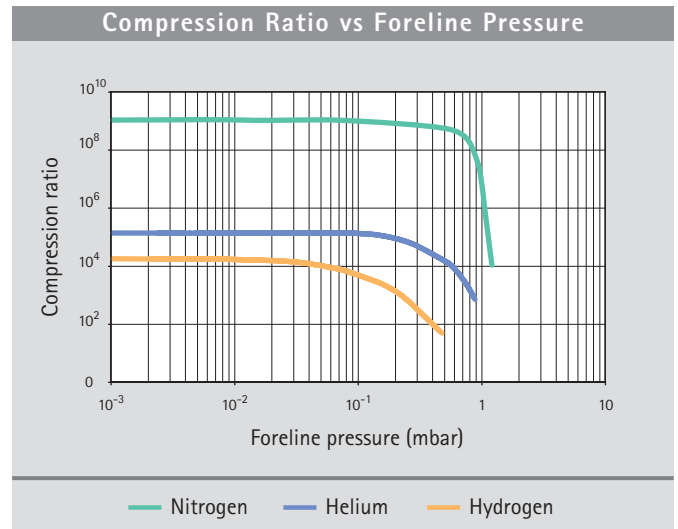
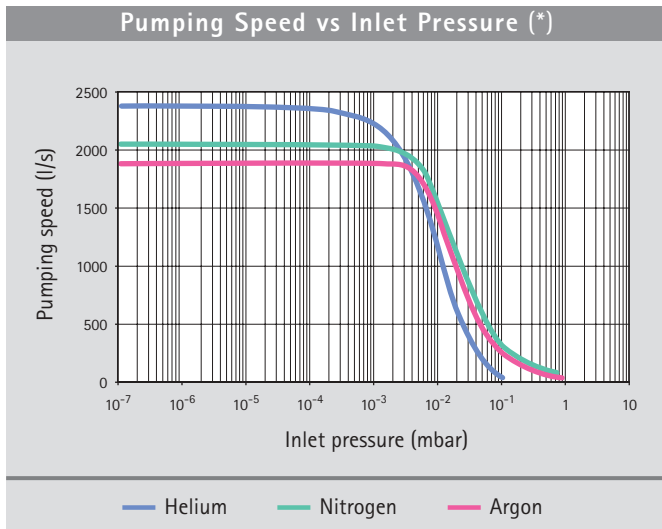
The new Turbo-V 3K-T System

- A versatile 2000 l/s class turbo system offering the highest performance in a unique compact design
- Innovative features like integrated electronics, real-time thermal overload protection and intelligent MoniTorr technology are all integrated
- Designed for demanding high gas load or light gas pumping and high compression UHV applications
- Integrated package includes Turbo Molecular Pump, Drive Electronics, Power Supply, MoniTorr technology and Communication
- Versatile electronics interface with easy to use T-Plus Software
- Analog I/O signals and RS232 / RS485 interface are standard
- Varian Profibus® interface optional

Technical Specifications

Pumping speed (without inlet screen)	N ₂ : 2050 l/s	He: 2400 l/s	Ar: 1900 l/s	H ₂ : 2300 l/s
Compression ratio	N ₂ : 10 ⁹	He: 1.2 x 10 ⁵	Ar: >10 ⁹	H ₂ : 1.5 x 10 ⁴
Base pressure* with recommended forepump	<1 x 10 ⁻⁹ mbar			
Inlet flange	ISO 250 F		CFF 12"	
Foreline flange	KF 40 NW			
Nominal rotational speed	31,800 rpm			
Start-up time without gas load and with the recommended forepump	< 9 minutes			
Minimum recommended forepump	50 m ³ /h			
Operating position	Any			
Operating ambient temperature	+5 °C to +40 °C			
Cooling requirements	Water			
Weight (ISO 250)	55 (121.25) kg (lbs)			
Power Supply	Input voltage	100-240 Vac		
	Input freq.	50-60 Hz		
Communication Interface	Analogue I/O	Standard		
	RS232/RS485	Standard		
	Profibus	Optional		

* According to PNEUROP 5608.



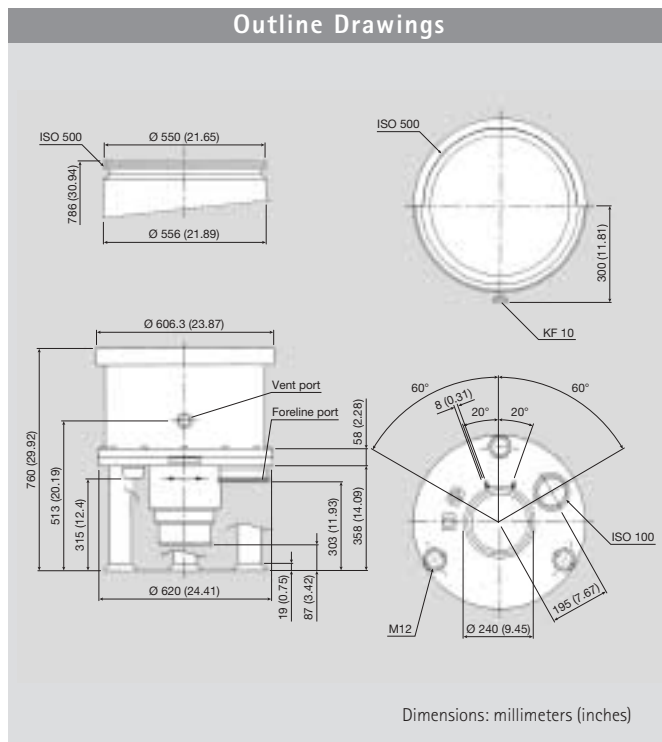
(*) Measured with a 60 m³/h forepump.

Ordering Information

Description	Weight kg (lbs)	Part Number
Pumping Systems (*)		
Turbo-V 3K-T ISO 250 F system with integrated purge/vent		9698875
Turbo-V 3K-T ISO 250 F system without purge/vent		9698882
Turbo-V 3K-T ISO 250 F system with ProfiBus, with integrated purge/vent		9698877
Turbo-V 3K-T ISO 250 F system with ProfiBus without purge/vent		9698883
Turbo-V 3K-T CFF 12" system with integrated purge/vent		9698879
Turbo-V 3K-T CFF 12" system without purge/vent		9698884
Turbo-V 3K-T CFF 12" system with ProfiBus, with integrated purge/vent		9698881
Turbo-V 3K-T CFF 12" system with ProfiBus without purge/vent		9698885
<i>(*) Pumping Systems include Pump with Integrated Electronics, Inlet Screen, Accessory Bag with Mating Connectors for Remote I/O and Serial Port</i>		
Accessories		
Mains cable NEMA Plug, 3m long	0.5 (1.0)	9699958
Mains cable European Plug, 3m long	0.5 (1.0)	9699957
T-Plus Software and serial cable	0.5 (1.0)	9699883
Inlet screen ISO 250 with Viton centering ring	0.5 (1.0)	9699138
Inlet screen CFF 12. AISI	0.5 (1.0)	9699350
Water cooling kit for 6x8 (IDxOD) flexible tube	0.5 (1.0)	9699348
Water cooling kit for 3/8 in. ID flexible tube	0.5 (1.0)	9699338
1/4 Rack Remote Control Panel	1.0 (2.0)	9698850
Remote Panel Connection Cable	0.5 (1.0)	9699945
IP54 proof connectors	1.0 (2.0)	9698960
Remote Assist Support Program 12 Months	- -	RASS3KT_1YR
Remote Assist Support Program 24 Months	- -	RASS3KT_2YR

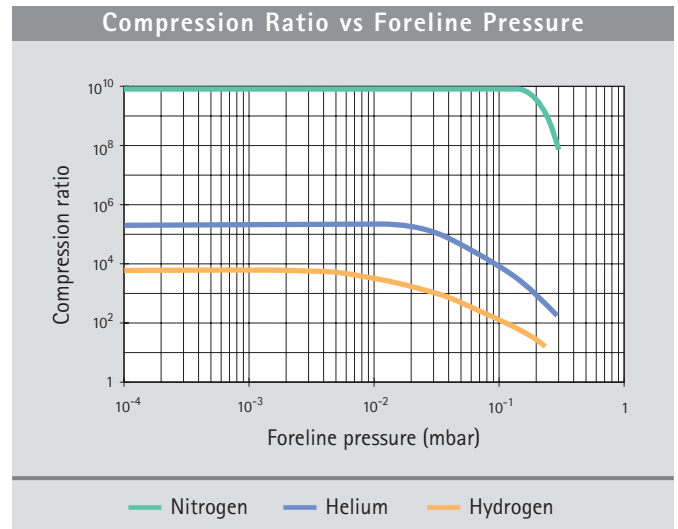
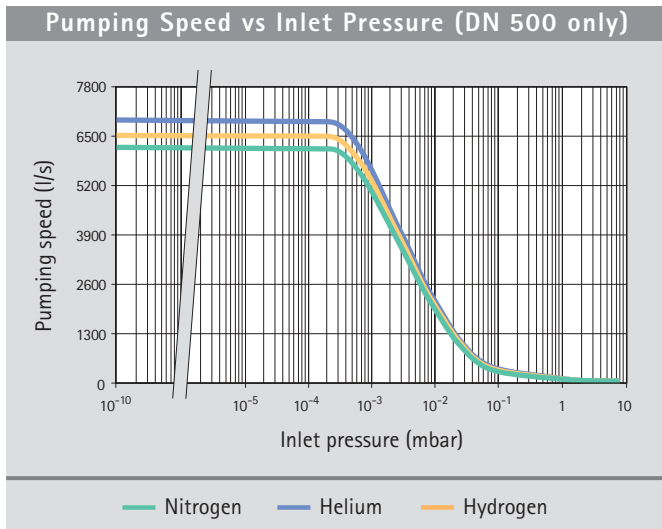
Turbo Pumps

Turbo-V 6000



Technical Specifications

Pumping speed l/s	N ₂ : 6,000	He: 7,000	H ₂ : 6,500
Compression ratio	N ₂ : > 1 x 10 ¹⁰	He: 2.3 x 10 ⁵	H ₂ : 8 x 10 ³
Base pressure with recommended mechanical pump:	< 1 x 10 ⁻¹⁰ mbar (< 1 x 10 ⁻¹⁰ Torr)		
Inlet flange	ISO 500		
Foreline flange	ISO 100		
Rotational speed	14,000 rpm		
Startup time	30 minutes		
Recommended forepump	80 m ³ /h		
Operating position	Vertical ±10°		
Cooling requirements	Water		
Bakeout temperature	80 °C at inlet flange (ISO version)		
Vibration level (displacement)	≤ 0.05 μm at inlet flange		
Weight kg (lbs)	250 (550)		
Lubricant	Varian T.A. oil (charge 1,000 cm ³)		



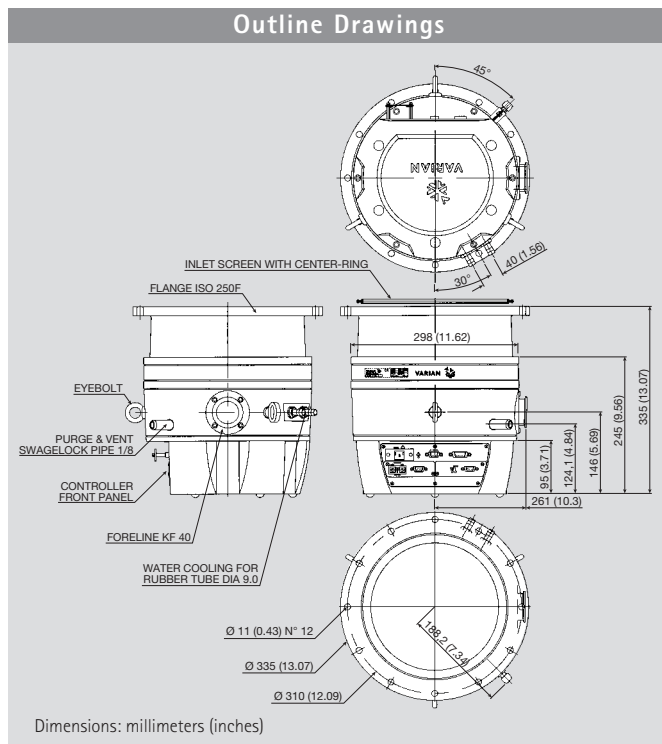
Ordering Information

Description	Weight kg (lbs)	Part Number
Pump		
Turbo-V 6000 pump with ISO 500 inlet flange	282.0 (620.0)	On request
Controllers		
Turbo-V 6000 controller, 120 V	50.0 (110.0)	On request
Turbo-V 6000 controller, 220 V	50.0 (110.0)	On request
Accessories		
Inlet screen, DN 500	10.0 (22.0)	On request
Vent valve with fixed delay time	2.0 (4.0)	On request
Vent device with adjustable delay time	2.2 (5.0)	On request
Replacement Parts		
Varian T.A. oil, 100 cm ³	0.5 (1.0)	On request
Varian T.A. oil, 1000 cm ³	1.4 (3.0)	On request

Please contact Varian for ordering information.

Turbo Pumps

Turbo-V 2K-G System



Turbo-V 2K-G System

- The first application-specific pumping solution designed for thin film deposition equipment
- The highest performing, most compact unit available
- The first fully integrated approach for maximum system productivity and uptime

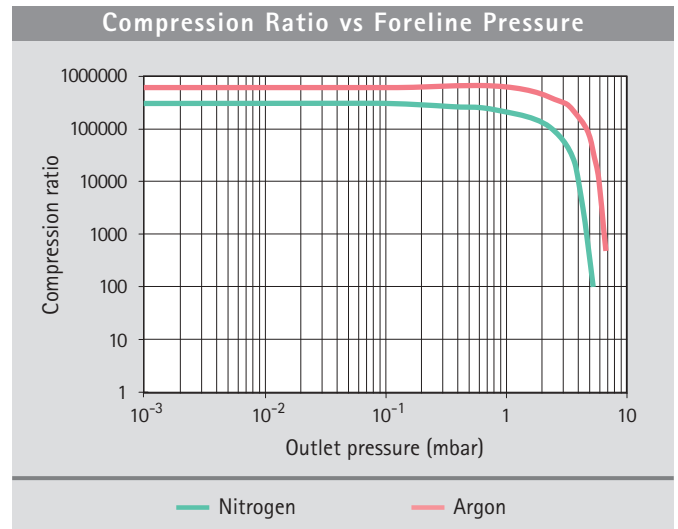
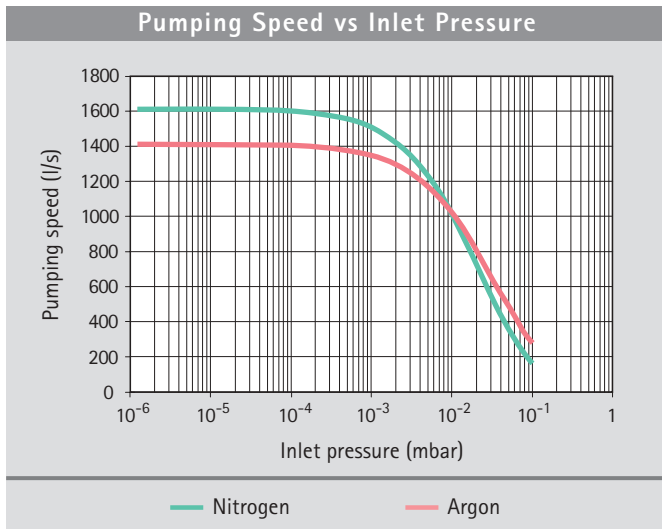
The System Interface

- Integrated package includes Turbo Molecular Pump, Drive Electronics, Power Supply, MoniTorr, Purge Gas and Communication
- Versatile electronics interface with easy to use control Software
- Analog I/O signals and RS232 / RS485 interface as standard
- Varian Profibus® interface as option

Technical Specifications

Pumping speed		N ₂ : 1600 l/s
Compression ratio		N ₂ : 3 x 10 ⁵
Base pressure* with recommended forepump		< 1 x 10 ⁻⁸ mbar
Inlet flange		ISO 250 F
Foreline flange		KF 40 NW
Nominal rotational speed		33,000 rpm
Start-up time		<7 minutes
Recommended forepump		> 40 m ³ /h
Operating position		Any
Operating ambient temperature		+5 °C to +40 °C
Power supply	Input voltage	100 - 240 Vac
	Input freq.	50 - 60 Hz
Communication Interface	Analogue I/O	Standard
	RS232 / RS485	Standard
	Profibus	Optional
Dimensions	Height	335 mm
	Diameter	335 mm
	Weight	35 kg

* According to standard DIN 28 428, the base pressure is that measured in a leak-free test dome, 48 hours after the completion of test dome bake-out, with a Turbopump fitted with a ISO 250 flange and using the recommended pre-vacuum pump



Ordering Information

Description	Part Number
Turbo-V 2K-G system with MoniTorr	9698871
Turbo-V 2K-G system with Profibus and MoniTorr	9698873
Mains cable NEMA Plug, 3m long	9699958
Mains cable European Plug, 3m long	9699957
Serial cable and Navigator Software 3.0	9699883
MoniTorr connectivity kit	9699260
Remote Assist Support program 12 Months	RASS2KG_1YR
Remote Assist Support program 24 Months	RASS2KG_2YR
Inlet screen ISO 250 with center ring	9699138
Water cooling kit for 6x8 (IDxOD) flexible tube	9699348
Water cooling kit for 3/8 in. ID flexible tube	9699338

Turbo Pumps

Turbo-V 81-AG Rack Controller



The Turbo-V 81-AG Rack controller is a microprocessor-controlled frequency converter with new, enhanced features that allow greater control and communication capabilities. This compact, 1/4 rack unit is designed for full worldwide compatibility, for vent valve control, active gauge pressure reading and pump operation parameters control, as well as for self diagnostic and protection features.

- **Universal Voltage**

Controller able to auto set according to the input voltage, providing flexibility for easy installation worldwide.

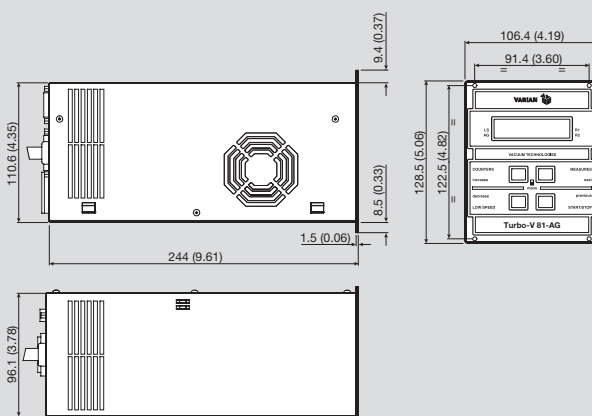
- **RS-232/485 Communication Protocols and Profibus (Options)**

- Allows the pump to be interfaced with the system controls.
- Enables the pump to be operated via PC with T-Plus software.
- Helps development of own customer software.

Technical Specifications

Input	100, 240 Vac 50/60 Hz
Maximum input power	210 VA
Output voltage	76 Vac
Output frequency	1,350 Hz
Nominal output power	100 W
Operating temperature	+5 °C to +70 °C
Storage temperature	-20 °C to +70 °C

Outline Drawings



- **Stop Speed Reading (SSR)**

- Continues pump speed reading after the stop command.
- Allows monitoring the pump in slow down ramp and shut down time.

- **N.O. and N.C. Vent Valve Drive**

- Valve delay and opening time adjustable.
- Vent valve driven by controller automatically or by serial line.
- Opening time control through SSR function.

- **Active Gauge Pressure Reading Capability**

- Provides accurate pressure measurements from 10^{-3} down to 10^{-9} mbar.
- Rack mounted control electronics no longer necessary, with simple +24 Vdc power connector.
- Proven inverted magnetron design.
- Rapid start even in high-vacuum conditions.

Ordering Information

Description	Weight kg (lbs)	Part Number
Controller		
Turbo-V 81-AG rack controller	1.7 (3.2)	9698988
Accessories		
Air cooling kit (0.5 m cable)		9699290
Air cooling kit extension cable (5 m)		9699940
Vent valve N.C. 0.5 orifice (0.5 m cable)		9699847
Vent valve N.O. 0.5 orifice (0.5 m cable)		9699844
Vent valve extension cable (5 m)		9699941
EyeSys Mini-IMG gauge cable (1 m)		9699943
EyeSys Mini-IMG gauge		R1400301
Gauge extension cable (5 m)		9699944
Mains cable NEMA plug (3 m)		9699958
Mains cable european plug (3 m)		9699957
Options		
Turbo-V 81-AG with RS-232/485		9698989
Turbo-V 81-AG with Profibus		9698990

Turbo-V 301 Navigator Controller



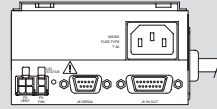
The Turbo-V 301 Navigator controllers are microprocessor-controlled frequency converters, fully controllable through PC software, with self-diagnostic and protection features that ensure the highest degree of reliability.

Technical Specifications

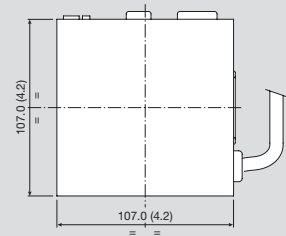
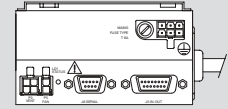
Input voltages:	
Navigator controller, 24 Vdc	24 Vdc \pm 10%
Navigator controller, 120/220 Vac	100/120/220/240 Volt, 1 phase, 50/60Hz
Maximum input power:	
Navigator controller, 24 Vdc	200 W
Navigator controller, 120/220 Vac	300 VA
Output voltage	75 Vac, 3 phase
Output frequency	963 Hz
Nominal power	150 W
Start-up power	150 W
Operating temperature	0°C to +40°C
Storage temperature	20°C to +70°C

Outline Drawings

120/220 V controller front panel



24 V controller front panel



Dimensions: millimeters (inches)

They can be mounted on board, either on the bottom or on the side of the pump, offering outstanding flexibility and simplicity.

Ordering Information

Description	Weight kg (lbs)	Part Number
Controllers		
Turbo-V 301 Navigator controller, 24 Vdc	1.0 (2.2)	9698972
Turbo-V 301 Navigator controller, 120/220 Vac	1.0 (2.2)	9698973
Accessories		
Mains cable NEMA plug, 3m long	0.5 (1.0)	9699958
Mains cable European plug, 3m long	0.5 (1.0)	9699957
Serial cable and T-plus Software	0.5 (1.0)	9699883
<i>(previous release Navigator 2.2 included in the CD)</i>		
Air cooling kit	1.0 (2.0)	9699296
External "TMP Profibus gateway"	0.4 (0.8)	9699261

Turbo
Pumps

Turbo-V 301-AG Rack Controller



The Turbo-V 301-AG Rack controller is a microprocessor-controlled frequency converter with new, enhanced features that allow greater control and communication capabilities. This compact, 1/4 rack unit is designed for full worldwide compatibility, for vent valve control, active gauge pressure reading and pump operation parameters control, as well as for self diagnostic and protection features.

- **Universal Voltage**

Controller able to auto set according to the input voltage, providing flexibility for easy installation worldwide.

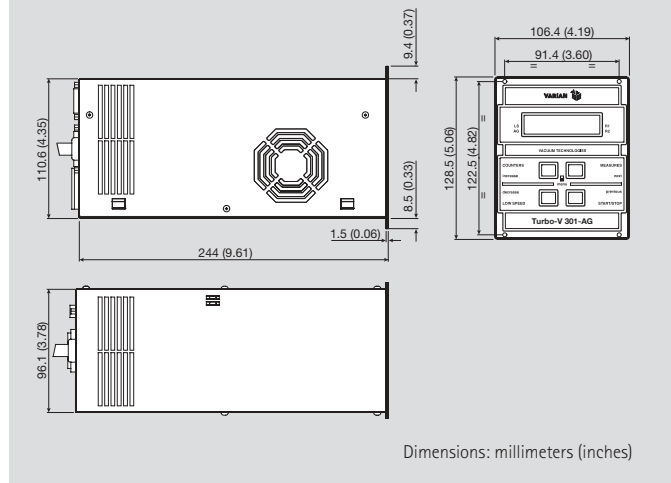
- **RS-232/485 Communication Protocols and Profibus (Options)**

- Allows the pump to be interfaced with the system controls.
- Enables the pump to be operated via PC with T-Plus software.
- Helps development of own customer software.

Technical Specifications

Input	100, 240 Vac 50/60 Hz
Maximum input power	300 VA
Output voltage	75 Vac
Output frequency	963 Hz
Nominal output power	150 W
Operating temperature	+5 °C to +45 °C
Storage temperature	-20 °C to +70 °C

Outline Drawings



- **Stop Speed Reading (SSR)**

- Continues pump speed reading after the stop command.
- Allows monitoring the pump in slow down ramp and shut down time.

- **N.O. and N.C. Vent Valve Drive**

- Valve delay and opening time adjustable.
- Vent valve driven by controller automatically or by serial line.
- Opening time control through SSR function.

- **Active Gauge Pressure Reading Capability**

- Provides accurate pressure measurements from 10^{-3} down to 10^{-9} mbar.
- Rack mounted control electronics no longer necessary, with simple +24 Vdc power connector.
- Proven inverted magnetron design.
- Rapid start even in high-vacuum conditions.

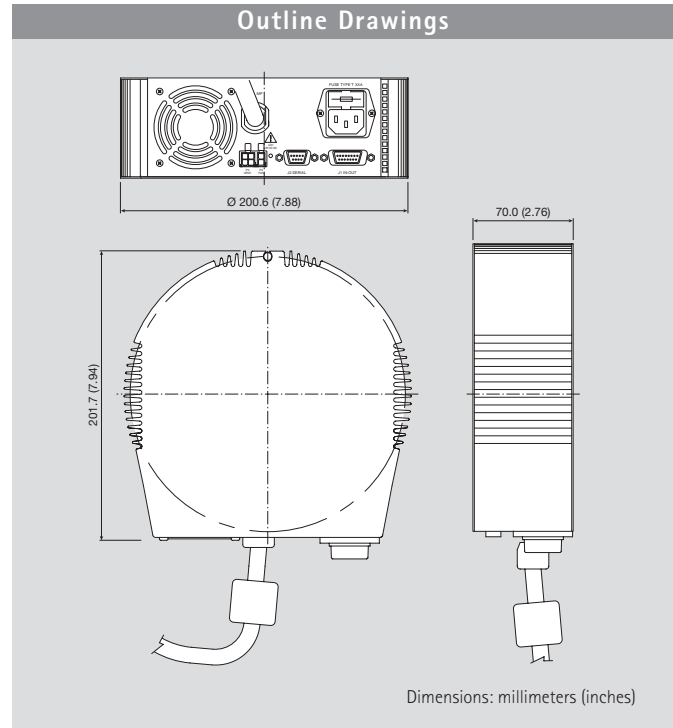
Ordering Information

Description	Weight kg (lbs)	Part Number
Controller		
Turbo-V 301-AG rack controller	1.7 (3.2)	9698991
Accessories		
Air cooling kit (0.5 m cable)		9699291
Air cooling kit extension cable (5 m)		9699940
Vent valve N.C. 0.5 orifice (0.5 m cable)		9699847
Vent valve N.O. 0.5 orifice (0.5 m cable)		9699844
Vent valve extension cable (5 m)		9699941
EyeSys Mini-IMG gauge cable (1 m)		9699943
EyeSys Mini-IMG gauge		R1400301
Gauge extension cable (5 m)		9699944
Mains cable NEMA plug (3 m)		9699958
Mains cable european plug (3 m)		9699957
Options		
Turbo-V 301-AG with RS-232/485		9698992
Turbo-V 301-AG with Profibus		9698993

Turbo-V 551, 701 and 1001 Navigator Controllers



The Turbo-V 551, 701 and 1001 Navigator controllers are microprocessor-controlled frequency converters, fully controllable through PC software, with self-diagnostic and protection features that ensure the highest degree of reliability. They can be mounted on board, either on the bottom or on the side of the pump, offering outstanding flexibility and simplicity.



Technical Specifications		
	Turbo-V 551, 701	Turbo-V 1001
Input voltages	100/120/220/240 VAC 50/60 Hz, 1 ph	100/120/220/240 VAC 50/60 Hz, 1 ph
Maximum input power	640 VA	850 VA
Output voltage	54 VAC, 3 ph	54 VAC, 3 ph
Output frequency	714 Hz	640 Hz
Operating temperature	0 °C to +40 °C	0 °C to +40 °C
Storage temperature	-20 °C to +70 °C	-20 °C to +70 °C

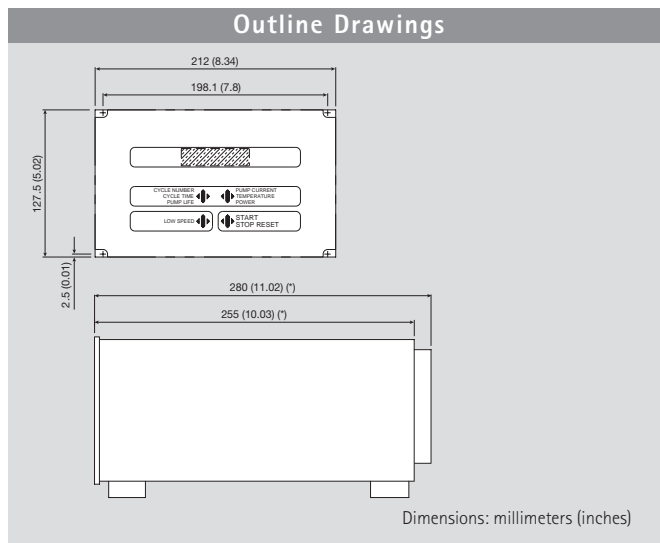
Ordering Information		
Description	Weight kg (lbs)	Part Number
Controllers		
Turbo-V551 Navigator controller 120/220 V - 50/60 Hz	3.0 (6.0)	9698976
Turbo-V701 Navigator controller 120/220 V - 50/60 Hz	3.0 (6.0)	9698977
Turbo-V1001 Navigator controller 120/220 V - 50/60 Hz	3.0 (6.0)	9698978
Accessories		
Mains cable NEMA plug, 3 m long	0.5 (1.0)	9699958
Mains cable European plug, 3 m long	0.5 (1.0)	9699957
Serial cable and T-plus Software <i>(previous release Navigator 2.2 included in the CD)</i>	0.5 (1.0)	9699883
External "TMP Profibus gateway"	0.4 (0.8)	9699261

Turbo
Pumps

Turbo-V 550, 700HT and 1000HT Rack Controllers



These controllers are microprocessor-controlled frequency converters with self diagnostic and protection features that ensure the highest degree of reliability. The compact, 1/2 rack unit has a multifunction alphanumeric display for pump status and error code diagnostics. The front panel has a two-line dot matrix LCD display with back lighting. It displays rotational speed as the pump starts up and indicates when full speed is reached. At any time during the operation of the pump, the speed, current, power, and bearing temperature can be displayed. Additionally, the microprocessor acts as a pump cycle



log, and can display the number of vacuum cycles, the cycle time for the current cycle, and the total operating hours on the pump. Remote operation can be accomplished with logic level contact closures and with optional computer interfaces. PCB controllers are available. Please contact Varian for details.

Technical Specifications

	V 550	V 700 HT	V 1000 HT
Input voltages	100/120/220/240 V 1 ph, 50/60 Hz	100/120/220/240 V 1 ph, 50/60 Hz	100/120/220/240 V 1 ph, 50/60 Hz
Maximum input power	600 VA	600 VA	700 VA
Output voltage	56 VAC, 3 ph	56 VAC, 3 ph	56 VAC, 3 ph
Output frequency	700 Hz	700 Hz	633 Hz
Maximum output power*	325 W	350 W	450 W
Startup power	420 W	420 W	430 W
Operating temperature	0 °C to +40 °C	0 °C to +40 °C	0 °C to +40 °C
Storage temperature	-20 °C to +70 °C	-20 °C to +70 °C	-20 °C to +70 °C

* Data valid for nitrogen.

Ordering Information

Description	Weight kg (lbs)	Part Number
Controllers		
Turbo-V550 Rack controller, 120 V	15.7 (35.0)	9699544
Turbo-V550 Rack controller, 220 V	15.7 (35.0)	9699444
Turbo-V700HT Rack controller, 120 V	15.7 (35.0)	9699545
Turbo-V700HT Rack controller, 220 V	15.7 (35.0)	9699445
Turbo-V1000HT Rack controller, 120 V	15.7 (35.0)	9699554
Turbo-V1000HT Rack controller, 220 V	15.7 (35.0)	9699454
Accessories		
J1 input mating connector	0.5 (1.0)	9699853
P6 and P7 mating plug	0.5 (1.0)	9699854
Mains cable (European plug, 3 m long)	1.0 (2.0)	9699957
Mains cable (American plug, 120 V, 3 m long)	1.0 (2.0)	9699958

Description	Weight kg (lbs)	Part Number
Options		
RS485 Computer communication kit	5.0 (1.0)	9699856
RS232 Computer communication kit	5.0 (1.0)	9699857
RS422 Computer communication kit	5.0 (1.0)	9699858
P2 output mating connector	5.0 (1.0)	9699852
Rack adapter for controller	2.0 (4.0)	9699191
Controller to pump extension cable (5 m extension) for Turbo-V 550, 700HT, 1000HT	1.0 (2.0)	9699951L0500
Controller to pump extension cable (10 m extension) for Turbo-V 550, 700HT, 1000HT	2.0 (4.0)	9699951L1000
External "TMP Profibus gateway" (usable only with RS-485 option installed)	0.4 (0.8)	9699261

Turbo-V 6000 Rack Controller



The Turbo-V 6000 controller is a 19" rack mountable unit. This controller provides the following features:

Remote Operation with System Controller

The Turbo-V controller can accept remote commands with either TTL-compatible logic level signals or with permanent contact closures.

A signal (logic level) indicates that the pump is operating and has achieved normal speed. Also available is the indication of overload due to high-temperature or high-current levels.

System Diagnostics

Front panel LED bar graph displays the controller output frequency and the power drawn by the pump. An overload condition is also indicated and an hour counter monitors the operating hours on the pump to help adhere to the recommended maintenance intervals.

Control of other System Components

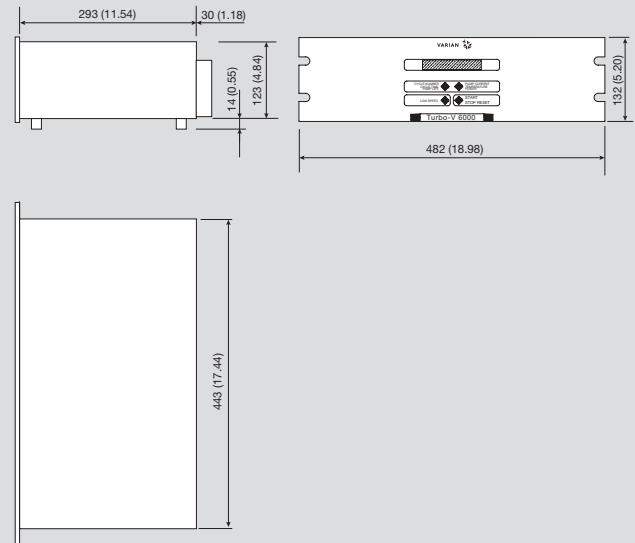
The Turbo-V controller can power the mechanical pump contactor to provide a one-switch control of both Turbo-V and mechanical pump startup. Simultaneous starting of the Turbo-V and mechanical pump is recommended for most applications where no high-vacuum valve is required.

Technical Specifications

Input voltage	120/220 V, 1 ph, 50/60 Hz
Maximum input power	3,000 VA
Output voltage	100 VAC, 3 ph
Output frequency	233 Hz
Maximum output power*	1,500 W
Startup power	2,200 W
Operating temperature	0 °C to +40 °C
Storage temperature	-20 °C to +70 °C

* Data valid for nitrogen

Outline Drawings



Dimensions: millimeters (inches)

The Turbo-V controller provides power to a turbo vent valve, if used.

A starting interlock is available that can be used for delayed starting of the Turbo-V with a contact closure from a vacuum gauge set point. The interlock could also be integrated to a water-flow switch to provide an early warning of interrupted cooling of the pump.

High-pressure Operation

The controller's ability to adjust the Turbo-V pump's rotational speed under high gas load conditions extends the operating range of the Turbo-V pumps into the 10^{-1} mbar range.

RPM Display

Digital display of nominal pump speed.

Ordering Information

Description	Weight kg (lbs)	Part Number
Controllers		
Turbo-V6000 Rack controller, 220 V	50.0 (110.0)	On request
Turbo-V6000 Rack controller, 120 V	50.0 (110.0)	On request

Please contact Varian for ordering information.

Turbo-V Accessories

Inlet Screens

To prevent any possible damage to the pump blades caused by particles falling into the pump, an inlet screen is available as an accessory. The inlet screen is a curved stainless steel mesh. It provides protection against debris larger than 0.7 to 3 mm (depending on the model), while reducing the pumping speed by only about 10%.

For ordering information, see individual pumps.

Heater Bands

To improve the attainable ultimate pressure in a vacuum system as well as to shorten the pump down time, bakeout of the chamber and the turbopump is recommended. To bake out the Turbo-V pumps, heater bands are provided as an option. The heaters are shaped to fit the upper part of the pump envelope and automatically heat up to a temperature of about 80 °C. The required bakeout time is a function of the degree of contamination of the system and the desired base pressure.

For ordering information, see individual pumps.

Air Cooling Kits

A fan is provided as an option for applications requiring forced air flow. The fan is easily installed using the included installation kit. The air cooling kit for the Turbo-V81's can be mounted beside or underneath the pump body. The fans for all the other pump models can be installed in a side location only. The maximum allowable ambient temperature for an effective cooling action is 30 °C. To meet the air flow rate specifications, care must be taken not to restrict or cover the space around the fan so that air can flow freely. The operation of the cooling fan is controlled by the Turbo-V controller.

For ordering information, see individual pumps.

Water Cooling Kits

A water cooling kit is provided to cool the pump when operating at high inlet or high exhaust pressures. The kit is available for the Turbo-V301, 551, 701 and 1001 Navigator, and 3K-T pumps. The cooling water can be supplied by an open circuit with drainage or a closed-loop refrigerated system. Care must be taken to secure the tubes to ensure that they do not detach during operation. Four different kits with various tube sizes are available (refer to the following table).

Tube Size	Material	Screw Thread	Part Number
4 x 6 mm (ID x OD)	Plastic	1/8 BSP	9699347
6 x 8 mm (ID x OD)	Plastic	1/4 BSP	9699348
1/4" ID	SST	1/8 BSP	9699337
3/8" ID	SST	1/4 BSP	9699338

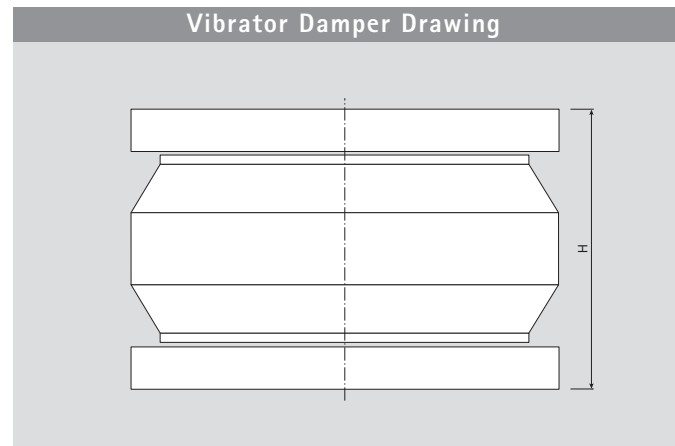
For ordering information, see individual pumps.

Vibration Dampers

Highly sensitive equipment such as an electron microscope and certain analytical instruments require extremely low vibration amplitudes. The dampers reduce turbopump vibration amplitude by at least a factor of 10 at their main frequencies.

They are available up to a size of 200 mm (ISO 200 or CF 10" O.D.). To effectively decouple the equipment from the pump, the vibration damper must be installed between the connecting flanges.

For ordering information, see individual pumps.



	H (mm)	H (inches)
Vibration Damper 4 1/2" CF	96.5	3.80
Vibration Damper 6" CF	101	3.97
Vibration Damper 8" CF	110	4.33
Vibration Damper 10" CF	113	4.45
Vibration Damper 63 ISO	84	3.31
Vibration Damper 100 ISO	84	3.31
Vibration Damper 160 ISO	88	3.46
Vibration Damper 200 ISO	88	3.46

Turbo-V Vent Valve

The Turbo-V Vent Valve, consisting of a control unit and a valve, is a complete unit for automatic venting of the Turbo-V pump when it is switched off or during a power failure. The valve is a normally open, electromagnetically-actuated valve with a filter on the air inlet. The control unit is powered by the Turbo-V controller and is provided with a fixed delay time of about 5 seconds to avoid undesired venting during a temporary power failure and to allow closure of the system valves before venting.

For ordering information, see individual pumps.

Turbo-V Vent Device

To control the venting of the Turbo-V pumps when they are switched off or during a power failure, a vent device is offered. The Turbo-V vent device consists of a normally closed valve and a control unit. The valve is electromagnetically-actuated and has a filter on the air-inlet. The control unit is powered by the Turbo-V controller and has a built-in battery backup. Delay and venting times are adjustable up to 36 minutes to optimize the venting conditions for each application.

For ordering information, see individual pumps.

Handheld Terminal

The handheld terminal is a remote control display for use with V 81 series Turbo-V pumps when connected to a controller without a front panel. It consists of an LCD alphanumeric display and keyboard which provide useful real time indications of the operating conditions and parameters of the turbopump.

Moreover, it allows the reprogramming of the controller parameters and troubleshooting of the pump and controller. The handheld terminal is connected to and powered from the

Turbo-V controller through a 1.5 meter cable.

For ordering information, please call your local Varian Office.

Purge Valve

To protect the bearings of a turbomolecular pump used with aggressive process gases, a measured supply of inert gas (N₂, Ar) must flow into the pump body around the upper bearing toward the fore-vacuum line. The Varian fixed orifice purge valve is calibrated for nitrogen to provide the correct gas flow to safely operate Turbo-V pumps. See Fixed Orifice Purge Valve Selection Guide below.

Fixed Orifice Purge Valve Selection Guide

Ordering Information				
Pump model	N ₂ Flowrate	Gas Line Connection	Weight kg (lbs)	Part Number
V301/V551/V701/1001 Navigator, and 3K-T models without integrated purge/vent				
	10 SCCM	NW16KF	0.2 (0.5)	9699239
	10 SCCM	1/4 Swagelok	0.2 (0.5)	9699240
	20 SCCM	NW16KF	0.2 (0.5)	9699241
	20 SCCM	1/4 Swagelok	0.2 (0.5)	9699242
	10 SCCM	1/4 Swagelok – 1/4 Swagelok*	0.2 (0.5)	9699232
	20 SCCM	1/4 Swagelok – 1/4 Swagelok*	0.2 (0.5)	9699236

* For remote installation

The Varian Turbo-V Pumps

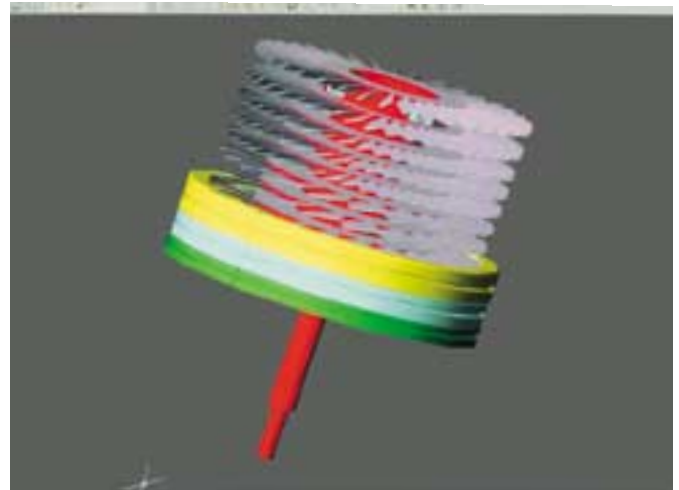
Enjoying the Varian Turbo Experience...

Just imagine 1,333 turns in one second: this is the extraordinary rotational speed of our 80 l/s turbomolecular pump. Isn't it amazing? Consider that when you are driving on an open highway, the wheels of your car make about 15 turns every second. The turbo rotor spins almost 100 times faster!

This is the typical rotational speed of our turbomolecular pumps, designed to meet the most demanding vacuum applications: in the Analytical Instrumentation business, the Semiconductor Market, the Industrial market and the High Energy Physics research facilities.

All of these varied applications require ultimate vacuum performance, reliability, and cleanliness, as well as a service organization that provides rapid response 24 hours a day, 7 days a week. Meeting all of these requirements is our everyday goal.

With more than 50 years of experience in Vacuum Science, Varian leads the market in developing unique design solutions. Examples of our technological achievements include:



In Vacuum

The award winning and unique MacroTorr® pumping stage, with exhaust pressures up to 18 mbar, minimizes the size and cost of your primary pumps. Thanks to a complete set of proprietary numerical modeling tools, the MacroTorr® stages have been optimized for maximum vacuum performances at the minimal energy consumption.

In Mechanics

The dry ceramic ball bearing technology, along with our computer aided balancing system, provide ultimate turbopump reliability with minimal intervention. No oil in the pump, no oil in the vacuum system, no oil to refill.

In Electronics

Our microprocessor based pump control units, allow integration onto the pump and direct pump-to-laptop RS232 serial communications in a user-friendly Windows™ based environment. Please check our special Navigator Software available with any of our Navigator control units.

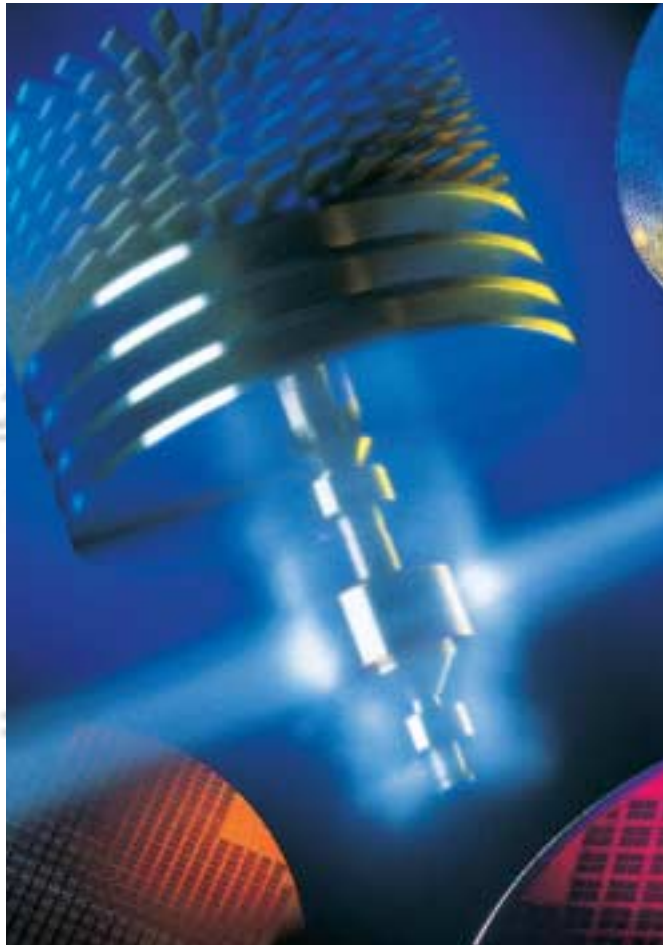


$$\tau_{ij} = \mu \left(\frac{\partial u_i}{\partial x_j} + \frac{\partial u_j}{\partial x_i} \right)$$

Last but not least, the MoniTorr System, our intelligent turbopump autodiagnostic system, that continuously monitors the pump's operating parameters and informs the service personnel about the state of the pump, ensuring maximum vacuum system uptime.

Part of our success is due to our Applications based structure. Everything in our organization reflects the will to meet customer needs. Today our R&D Engineers work side by side with the customer's system engineers, linked by the Varian worldwide structure of Application Engineers, designing the vacuum pumping systems that meet customer expectations.

With our complete range of turbo pumps from 80 to 6,000 l/s and a wide selection of pumping groups, Varian has the best solution to meet your needs.



Turbo Pumps

$(\rho u$
 ∂x_j
 $u_j)$
 $\frac{\partial u_j}{\partial x_i} - \frac{2}{3} \frac{\partial u_k}{\partial x_k} \delta_{ij}$

Turbo-V Pump Technical Notes

Turbopump Operating Principles

Turbomolecular pumps consist of a series of bladed impellers rotating at high speed and fixed bladed stators. These impellers and stators are alternately spaced and are inclined in opposite directions.

The pumping action is based on momentum transfer from the fast moving impeller surface to the gas molecules.

The speed of the moving surface must be as high as possible to achieve optimum pumping efficiency in terms of pumping speed and compression ratio.

When this mechanism takes place several times in a pump a pumping action is created. The sequence of alternating rotors and stators typical of a conventional turbomolecular pump develops the compression ratio.

Turbomolecular drag pumps operate according to the same principle, but with a different geometry in the pumping stages. Gas molecules collide against a fast moving wall and are dragged into a channel toward the high pressure region.

Conventional turbomolecular pumps have high pumping speed but low compression ratio at foreline pressures higher than 10^{-1} mbar. Molecular drag pumps have low pumping speed but high compression ratios up to foreline pressures of more than 20 mbar.

When the two types of stages are combined together in one pump, as in the Varian MacroTorr® pumps, extended operational pressure ranges can be achieved. (See page 195 for further description of the MacroTorr® principle).

Pump Selection

How to Select a Turbo-V Pump

The right choice of a turbomolecular pump depends on the application; as a general rule we can reduce the choice to two types of use:

UHV (no gas flow) operations and Process Gas flow operations.

– UHV (no gas flow) operations.

The former case includes most cases in which the turbomolecular pump is employed to create vacuum in systems where the gas load is mainly produced by outgassing. In this application the choice is typically based on the desired base pressure within a desired time as a function of the foreseen outgassing rate, i.e.

$$S_{\text{eff}} = Q / p$$

where:

- p is the desired base pressure (mbar)
- Q is the total outgassing rate at the desired time (mbar l/s)
- S_{eff} is the effective pumping speed

– Process Gas flow operations.

The second case relates to all operations where process gases must be used. The main parameters are therefore the desired operation pressure and the process gas flow

$$S_{\text{eff}} = Q' / p'$$

where Q' is the total gas flow and p' is the operating pressure.

How to Select the Backing Pump of a Turbomolecular Pump

The selection of a backing pump should be based analyzing two requirements of the vacuum system:

- a. the roughing time
 - b. the minimum recommended backing pump of the turbo
- a. Roughing: once the desired roughing time is established, the size of the forepump can be determined through the following formula:

$$S_{\text{foreline}} = (V / t) \ln (p_0 / p_1)$$

where

- S_{foreline} is the pumping speed of the roughing pump (l/min)
- V is the volume of the chamber to be evacuated (l)
- t is the desired roughing time (min)
- p_0 is the starting pressure (mbar)
- p_1 is the end pressure (mbar)

When using a foreline pump much larger than the recommended size, a by-pass line might be necessary to achieve calculated roughing time.

- b. Backing: the backing pump must be big enough to achieve an effective pumping speed as close as possible to the nominal speed.

$$p_{\text{foreline}} = Q / S_{\text{foreline}}$$

where

- S_{foreline} is the pumping speed of the foreline pump
- Q is the gas load
- p is the operating foreline pressure

It should be noted that Q is the total gas load on the pump and includes process gases and turbo purge gases when used.

The size of the backing pump can be calculated according to the following rule:

$$S_{\text{foreline}} \geq 20S / K$$

where

- S is the pumping speed of the turbopump
- S_{foreline} is the pumping speed of the backing pump
- K is the maximum compression ratio of the turbopump for a given gas (i.e.: process gas) at the operating foreline pressure.

The pumping speed of the backing pump should be the higher of the two values calculated as above (roughing and backing).

Finally, it is possible to use a dry pump (scroll or diaphragm) for hydrocarbon-free operation when pumps of the MacroTorr® type are used.

Turbomolecular Pump Parameters and Definitions

Throughput

"Throughput" is the flow rate of pumped gas through the turbomolecular pump (and foreline pump).

Throughput (Q) is measured in mbar l/s \approx 1/60 standard cm³/min. The maximum throughput a pumping system can handle is, in general, dependent upon the size of its foreline pump rather than the turbomolecular pump.

Pumping Speed

"Pumping speed" (S) (volumetric flow rate) of a turbomolecular pump is the ratio between throughput and inlet pressure (foreline pump size must be the recommended one as a minimum).

$$S = Q / p$$

The pumping speed of a turbomolecular pump is constant over a wide pressure range and depends upon geometric factors such as diameter and rotational speed. For most turbomolecular pumps, pumping speed is nearly independent from gas species (molecular weight).

Compression Ratio

"Compression Ratio" is the ratio between foreline (partial) pressure and inlet (partial) pressure for a given process gas, measured in "zero flow" conditions (performed by injecting the process gas in the pump foreline while the high vacuum port is blanked off).

Compression ratio is generally indicated with the letter "K".

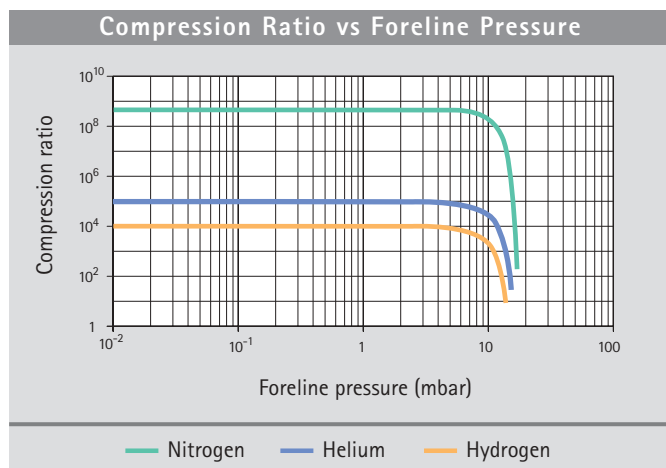


Figure 1

In technical specifications of turbomolecular pumps, it is the maximum attainable value of K (at low foreline pressure).

Compression ratio is, in fact, a function of the foreline pressure as shown in Figure 1.

Compression ratio decays at high pressure depending on turbomolecular pump configuration (the number of molecular stages) and/or power limitations that slow down the rotor (gas friction increases with pressure).

The maximum compression ratio is strongly influenced by gas species: it is an exponential function of the molecular weight of the pumped gas (compression ratio is considerably lower for light gases).

Pumping Speed and Pressure Ratio

The pressure ratio between foreline and inlet pressures in each operational situation is indicated by "R_p". This is, in general, equal to pumping speed ratio

$$R_p = p_{\text{foreline}} / p_{\text{inlet}} = S_{\text{eff}} / S_{\text{foreline}}$$

where S_{eff} is the effective pumping speed, and S_{foreline} is the pumping speed of the foreline pump.

In fact

$$Q = S_{\text{eff}} p_{\text{inlet}} = S_{\text{foreline}} p_{\text{foreline}}$$

therefore

$$S_{\text{eff}} / S_{\text{foreline}} = p_{\text{foreline}} / p_{\text{inlet}}$$

The pumping speed of a turbomolecular pump is minimally affected by pressure ratio (and foreline pump size) in most common operational conditions (when pressure ratio is much smaller than K).

Generally, however, the effective pumping speed "S_{eff}" is a linear function of the pressure ratio "R_p" as shown in Figure 2 (and therefore is also dependent upon the size of the backing pump).

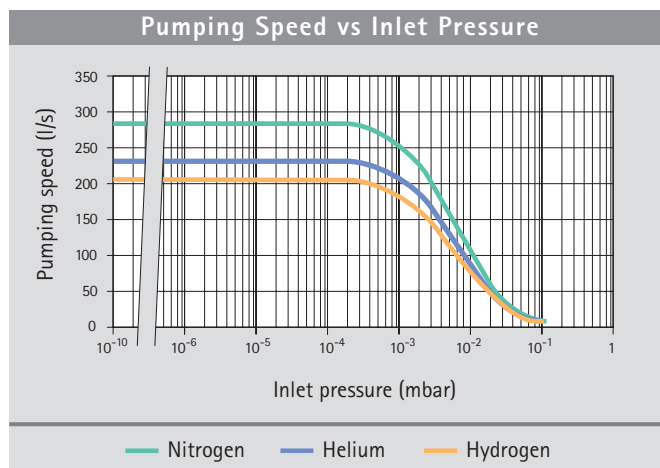


Figure 2



Turbo-V Pump Technical Notes

S_{eff} reaches its maximum value "S" (nominal pumping speed) when " R_p " equals unity, and it is zero when the pressure ratio R_p has reached its maximum value "K".

This linear dependence can be expressed by the following relationship:

$$S_{eff} = S / (1 - 1 / K + S / S_{foreline}K) \quad (1)$$

As it can be seen:

when

$$K \gg S / S_{foreline}$$

and

$$K \gg 1$$

then

$$S_{eff} \cong S$$

when

$$K \cong 1$$

then

$$S_{eff} = S_{foreline}$$

The above formula (1) must be used to evaluate pumping speed when operating at high pressure, especially with light gases (low K).

Base Pressure

The base pressure of a turbomolecular pump is the equilibrium pressure between outgassing of pump surfaces exposed to high vacuum, including test dome, and the pumping speed of the pump.

$$p_{base} = Q_{outgas} / S_{eff}$$

In the case of ultimate operational pressure, as specified by norms, the pressure is measured after 48 hours bakeout of pump and dome (provided with metal gasket); therefore the prevailing outgassing product is H_2 and equilibrium is reached with hydrogen pumping speed.

$$p_{base} = Q_{H_2} / S_{effH_2}$$

When foreline pumps with relatively high base pressures are used, base pressure is sometimes limited by the compression ratio for H_2O (or N_2).

$$p_{base} = p_{forelineH_2O} / K_{H_2O}$$

Vibration Level

Thanks to low vibration, focused design, and computer assisted balancing tools, today turbomolecular pumps generate very low levels of mechanical vibration. This is mainly a result of the numerical modeling of the pump rotodynamics (see Figure 3) and a specific vibration damping system already built into the pump structure. Thanks to

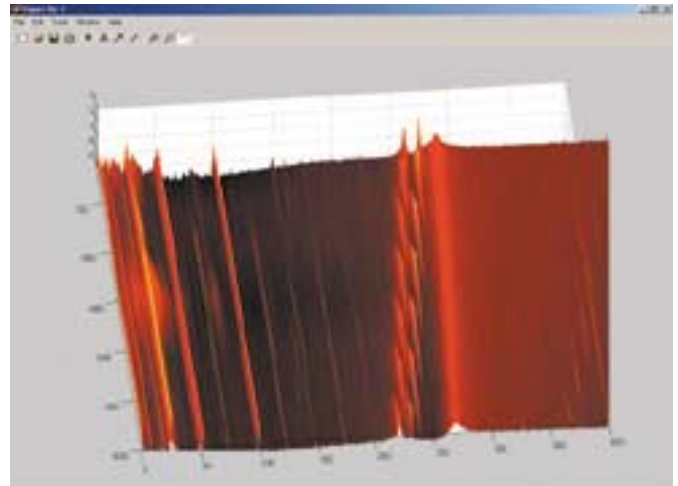


Figure 3

both design features, today ceramic ball bearings pumps are standard even in very high vibration applications like SEM and Metrology Tools.

A typical vibration spectrum of a turbomolecular pump can be seen in Figure 4:

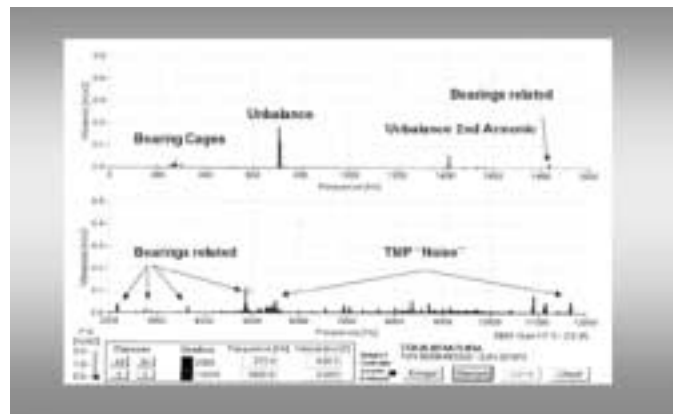


Figure 4

Possible sources of vibration in a turbomolecular pump are unbalanced rotor, high frequency motor or bearings. Rotor unbalance can be reduced to a very low level through dynamic balancing, which minimizes forces caused by a nonsymmetric distribution of masses in relation to the rotational axis. As an order of magnitude, the radial displacement on the pump HV flange after balancing can be as low as $0.001 \mu m$.

The vibrations from a high frequency motor are caused by electromagnetic interactions between the motor stator and rotor: their characteristic frequencies are multiples of the motor driving frequency. Also, the rotor supports generate both white noise and vibrations at specific frequencies of the bearings' moving parts (cage, balls and rotating ring, usually the inner one).

In general, the vibrations caused by an electric motor or bearing are even lower than those caused by unbalance. They may be relevant in the case of bearing damage or because of excitation of a natural resonant frequency of the system connected to the pump. In the second case, the system structure should be modified by adding mass, changing the stiffness and/or inserting a vibration damper between pump and system.

Operation in Presence of Magnetic Fields

Magnetic fields induce eddy currents in the turbomolecular pump rotor that tend to oppose its rotation. As a consequence the power delivered to the electrical motor is increased. Since the pump rotor is not in contact with the stator, all the heat generated by the eddy currents must be dissipated by radiation, so the rotor can be overheated even if the static parts remain cool.

According to our tests, the maximum magnetic field that our pumps can tolerate is:

- 50 Gauss in the transversal direction
- 100 Gauss in the axial direction

In these cases, a power increase to the motor can be expected.

If the magnetic field is greater than the above values a shield must be used in order to have a residual magnetic field around the pump below the value specified.

Please contact Varian for more details.

Electrical Interfacing

The input/output of our controllers have been designed to give maximum flexibility to operate the pump remotely. Two types of interface are offered for the following two controller families:

- Rack controllers (including V 81, V 301, V 550, V 700HT, V 1000HT)
- Navigator controllers (including V 301, V 551, V 701, V 1001)

Please contact Varian for more details.

Turbomolecular Pump Bearings and Lubrication System

The Turbo-V pumps incorporate Varian's innovative ceramic bearing design with a proprietary ultra-low vapor pressure solid lubricant, which enables these pumps to provide a long service life and a high degree of cleanliness under most operating conditions. This lubrication system is a superior feature of Varian Technology and guarantees no contamination of the vacuum system, especially when compared to other oil-lubricated turbomolecular pumps (See figures 5–6).

The ceramic bearings utilize balls made of silicon nitride, a polycrystalline material with an amorphous intergranular binder base that offers the following advantages:

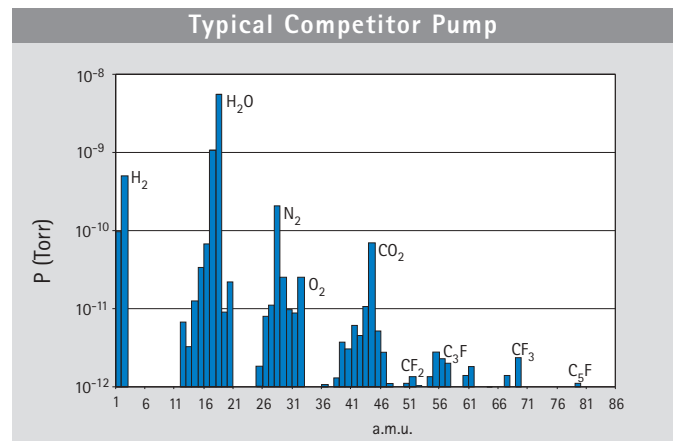


Figure 5

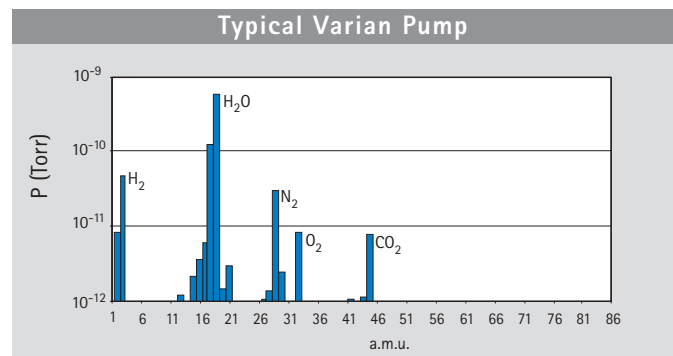


Figure 6

Hardness

This is a critical aspect of bearing design, and it closely relates to bearing performance and reliability. The silicon nitride material used in Varian's Turbo-V bearing system is twice as hard as conventional steel providing dramatic improvement in wear resistance while minimizing the effects of surface contact and stress.

Weight

Silicon nitride is 40% less dense than conventional steels, which helps to reduce centrifugal loading and stress levels at high rotational speeds, especially in the bearing race area.

Friction

Silicon nitride's low coefficient of friction enhances wear resistance and adds to the bearing's operational life.

Thermal Stability

With its low thermal expansion coefficient, the silicon nitride bearing material ensures that tight tolerances and mating component fit will be maintained over an extremely wide temperature range. In addition, silicon nitride has an outstanding resistance to fracture by thermal shock.

Chemical Stability

Silicon nitride is virtually inert.

Turbo-V Pump Technical Notes

Another feature of the Turbo-V bearing system is its proprietary lubricant which has an extremely low vapor pressure and is virtually hydrocarbon free. The use of this lubricant in the permanently sealed bearing system ensures clean, reliable operation without the need for any maintenance whatsoever.

Varian T-plus

Varian T-plus (Turbo Pumps Linked User Software) is the new communication, control and monitoring software for Varian Turbomolecular Pumps and all other Varian products featuring the Varian Window Serial Protocol.

With T-plus, you can simultaneously drive and control one or more Turbo Pumps, connected to a PC through an RS232 or an RS485 serial communication.

Automatic identification of the connected Pumps, description of each command always on screen, and User Interface adaptable to the Pump Status are only some of the new features developed to make the approach to pump settings easy and to reduce the number of steps during pump configuration.

Moreover, special care is given to the GUI (Graphical User Interface), to reproduce the environment of well-known User Interfaces (such as Microsoft® Windows® applications), to obtain a real User Friendly tool, and to reduce the user learning time.

T-plus software features several options like Data Logging, Chart Representation and Network Configuration, to help you configure your Vacuum devices quickly, and to check your vacuum system status at any time.

Exhaustive online Help is also included, providing the user with a complete, easy to learn system, tailored to customer requirements.

The previous software release Navigator 2.2 is included in the T-plus CD.



CE/CSA, EMC Electrical Specifications Compliance

Compliance to these norms guarantees that there are no limits on the use of the controllers and turbopumps in every type of ambient, and that their use doesn't create any kind of disturbance to electronic units connected to the same line. Varian's new generation of Turbo controllers comply with the limits given by the following norms:

- EN 55011 Class A group 1
- EN 61000/3/2
- EN 61000/3/3
- EN 61000/4/2
- EN 61000/4/3
- EN 61000/4/4
- EN 61010-1
- UNI EN 291-1
- UNI EN 292-2
- EN 1012-2

The MacroTorr® Concept

The Varian award winning, patented MacroTorr® design, which was developed in 1991, is the result of the improvement of the original design of the Gaede molecular pump.

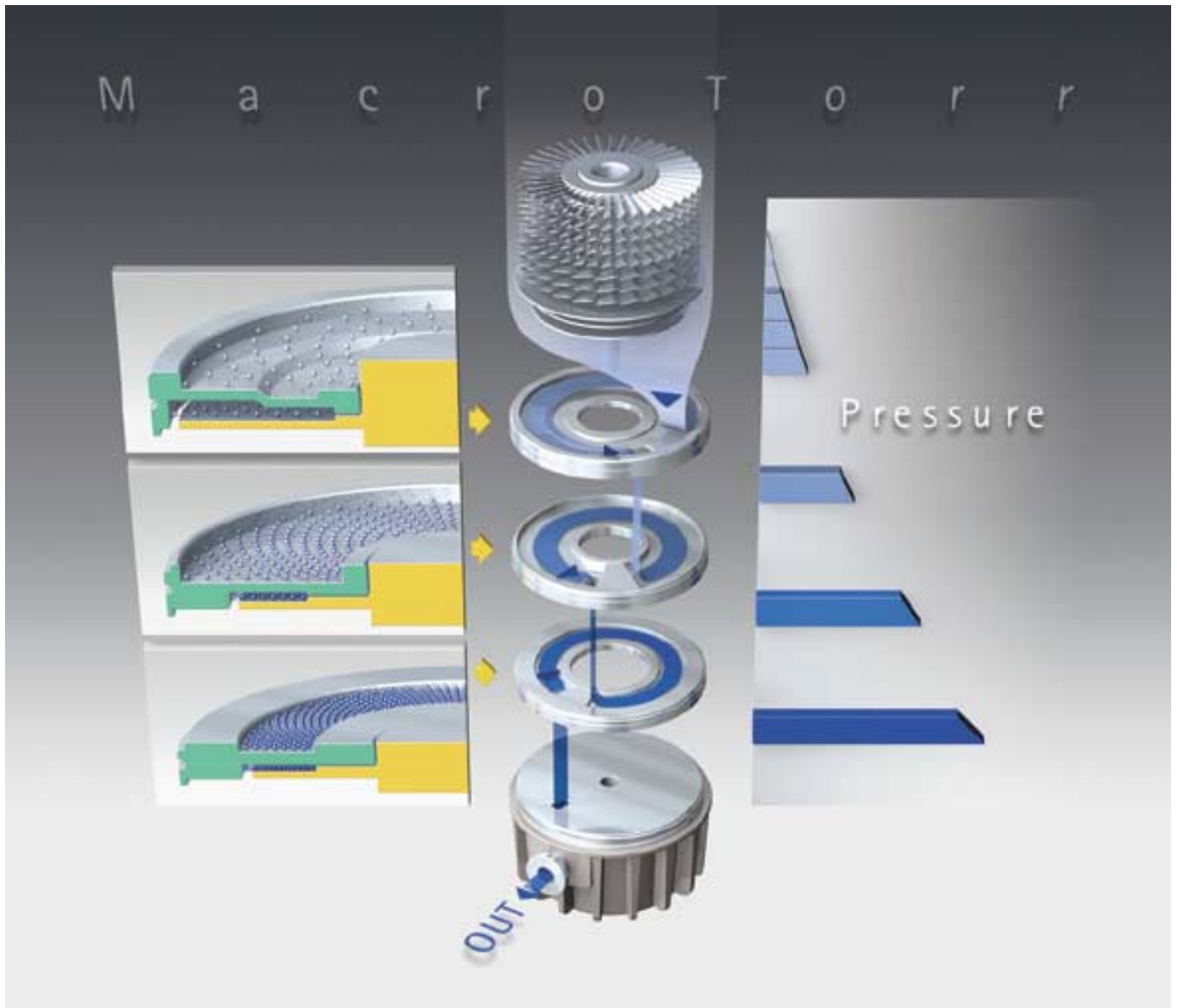
It is based on the idea of replacing (rather than adding) molecular impeller disks to some turbo bladed stages. The molecular impellers consist of a disk rotating in a channel in which the inlet and outlet are divided by a wall.

The cross section of the channels decreases from the top to the bottom of the pump (from high vacuum to low vacuum or from the low pressure to the high pressure zone).

Gas molecules gain momentum after each collision with the moving surface of the impeller.

The gas is then forced to pass through a hole to the next stage due to the wall.

The result is a product that, with the same dimensions as a conventional turbopump, provides: high compression ratios for light gases and high compression ratios at high foreline pressure. This allows the use of a very small mechanical pump while maintaining a low inlet pressure, or the use of a dry pump, for an oil free environment, and high throughput capacity at inlet pressures greater than 10^{-3} mbar.



Turbo
Pumps

Turbo Pump Service and Support Plan

Varian Vacuum Technologies offers one of the most comprehensive service and support plans in the industry. As a worldwide, first class company we strive to offer added value to our Customers wherever they may be located. Excellence in Service and Support is a key factor in added value. Support can be accomplished with qualified Engineers and an appropriate logistic infrastructure. Technical skills and infrastructure are two areas where we are continuously making medium and long-term investments. Our daily customer support philosophy is focused on two important factors: fast response and no hassle. This philosophy translates to the three sections of our Turbo Pump Service and Support Plan:

- **Product Support:** Exchange/Repair Program, Upgrade Program, Extended Warranty, Cleaning Service
- **Technical Assistance:** Customer Support, Application Assistance, Application Training
- **Uptime Services:** Remote Diagnostics

Varian Vacuum Technologies is committed to providing our Customers with the most comprehensive service plans possible. The following pages detail the standard sections of our Turbo Pump Service and Support Plan. For more information, or if you have a need for customized solutions, please contact your Varian representative.

Product Support

- **Exchange and Repair Programs**

Varian's Turbo Pumps and Controllers offer unmatched reliability, performance and cleanliness.

Often, excellent products are not enough: Varian's constant presence with Customer Service as a responsive partner is what really makes a difference.

To maximize uptime, and for those occasions where time is essential, Varian offers exchange units for advance shipment. Exchange units are fully reconditioned to the same strict standards as new products. They are kept in stock in North America, Europe, Japan, Korea and Taiwan.

If requested, your Exchange unit can be shipped for overnight delivery. This efficiency is due to our logistic infrastructure and is the result of excellent teamwork among our Service and Customer Service Teams!

The Repair Program is available for those situations where the control of assets is important and when the requested turn around time is less critical.

The Exchange and Repair Programs are available worldwide and allow global OEMs and End-Users consistent delivery time, value pricing, consistent part numbers, and simple order processing procedures.

- **Ordering Information for Varian's Exchange Program**
To order an Exchange unit, add the letters "EX" before the product part number you need to exchange. After receipt of the exchange unit, you have 20 working days to ship the original unit back to Varian. To request repair of your unit, contact the closest Varian location.

- **Upgrade Program**

The Upgrade Program is designed for customers who need to replace a Varian product at the end of its life, or of old technology, with a newest technology product.

For example, a customer may wish to replace a Turbo-V250 with our Turbo-V301 Navigator.



Varian's Turbo pump Upgrade Program provides a customer with the same outstanding support delivered with our service programs, including:

- RMA# tracking
- Replacement with rebuilt pump of the newest technology
- Advance replacement
- 24-hour expedited order management
- WEB on-line order status & shipment tracking

In addition, the Upgrade Program provides

- Proactive Technical Installation Support, by telephone
- Full 12-month warranty

The Upgrade Program is available for our standard products. Owners of OEM or custom products are requested to contact Varian Technical Support at: 00-800-234-234-00 (Europe Toll free) or send e-mail to: vtt.technical.support@varianinc.com

• **End User Extended Warranty**

The End User Extended Warranty is a Service Agreement that provides coverage extension beyond the standard 12 months warranty of a product. It extends for additional 12 months the coverage from failures due to defects in material and workmanship.

By extending the warranty of purchased products, post-sales satisfaction is guaranteed. This is the result of the relevant cost decrease while cost predictability is increased.

The End User Extended Warranty has been designed to cover the needs of the End User Market:

- General Purpose Vacuum applications.
- High Energy Physics Ultra High Vacuum applications.

• **Ordering Information for End User Extended Warranty**

General Purpose Vacuum Applications	Part Number
Extd. Warranty 12M Turbo 70 l/s class	EW70
Extd. Warranty 12M Turbo 300 l/s class	EW300
Extd. Warranty 12M Turbo 550 l/s class	EW550
Extd. Warranty 12M Turbo 700 l/s class	EW700
Extd. Warranty 12M Turbo 1000 l/s class	EW1000
Extd. Warranty 12M Turbo (other config.)	EW969TMP

High Energy Physics UHV Applications	Part Number
Extd. Warranty HEP 12M Turbo 70 l/s class	EW969TV70
Extd. Warranty HEP 12M Turbo 300 l/s class	EW969TV301
Extd. Warranty HEP 12M Turbo 550 l/s class	EW969TV551
Extd. Warranty HEP 12M Turbo 700 l/s class	EW969TV701
Extd. Warranty HEP 12M Turbo 1000 l/s class	EW969TV1001
Extd. Warranty HEP 12M Turbo (other config.)	EW969TMP

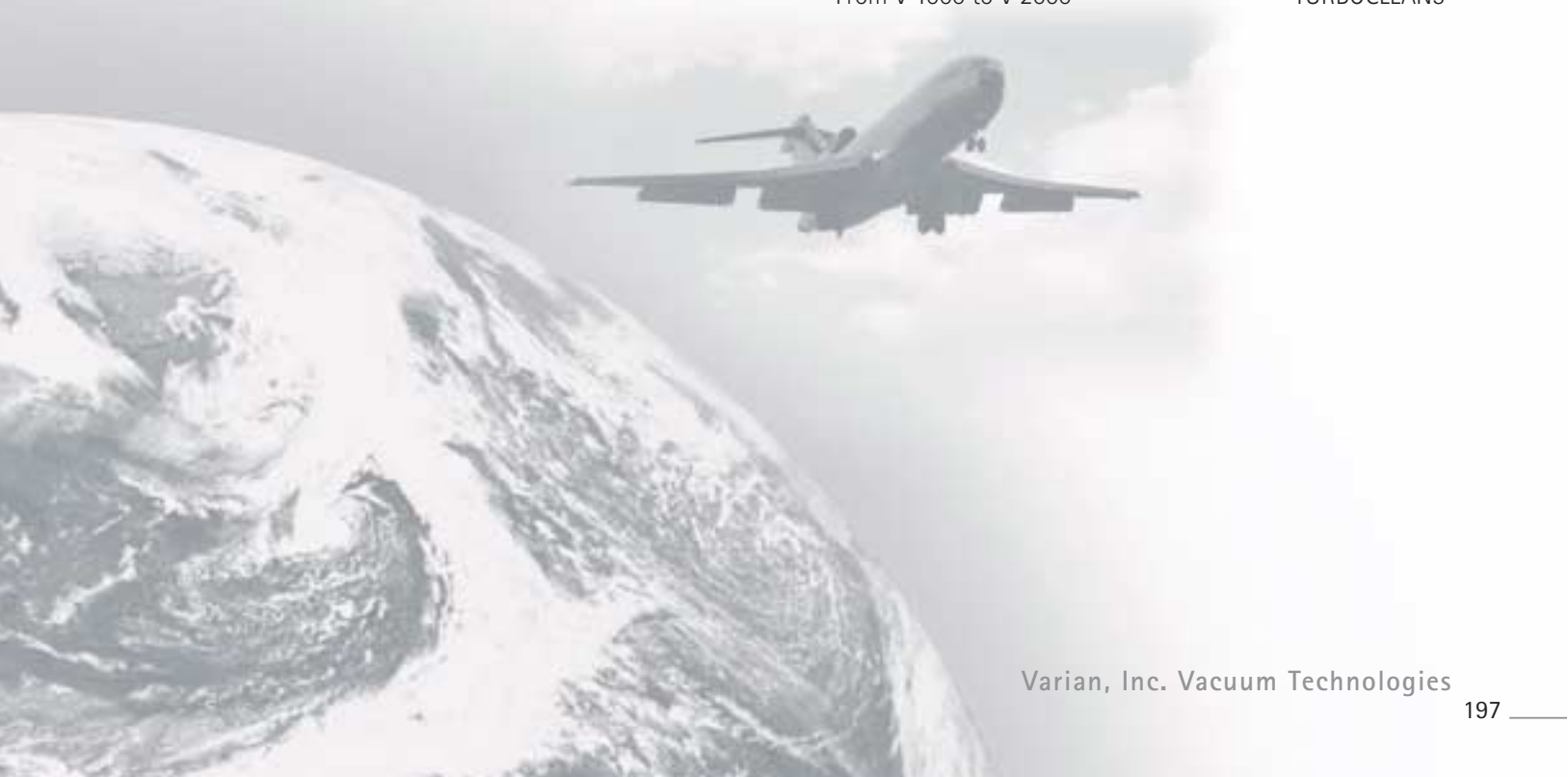
• **Cleaning Service**

Varian offers a cleaning service in cases where a turbo pump may have been exposed to chemically hazardous materials.

This service is available worldwide and allows global OEMs and End-Users consistent delivery time, pricing, part numbers, and order processing procedures.

• **Ordering Information for Varian's Cleaning Service**

Turbo-V Pump Size	Part Number
From V 60 to V 301 Navigator	TURBOCLEAN1
From V 450 to V 701 Navigator	TURBOCLEAN2
From V 1000 to V 2000	TURBOCLEAN3



Turbo Pump Service and Support Plan

Uptime Services

- **Remote Diagnostics**

Varian's Remote Assist Agreements are specifically designed to provide first class support in monitoring your Varian Turbo Pumps to properly perform preventive maintenance activities.

Remote Assist are aimed at preventing unexpected turbo pump failures. Prevention can be made with Varian remote assistance.

Our remote assistance is performed by using our MoniTorr technology and a remote analysis technique that allows the customer to maximize uptime by anticipating pump failures. The MoniTorr is a preventive maintenance device that continuously monitors the Turbo Pump's operating conditions, including vibration spectra and operating parameters. Complete with advanced communication capabilities, the data acquisitions are automatically stored and can be sent periodically to Varian's Technical Support Center.

Customers can choose to communicate with the Technical Support Center by modem connection or e-mail.

The Varian Technical Support Center is organized to receive, analyze and archive the data stored by the MoniTorr. SPC (Statistical Pump Control) is regularly performed on the collected data to compare the present pump behavior against the collected behavioral data. This will indicate if a preventive Turbo pump replacement is required.

Remote Assist are provided through dedicated service agreements.

Please contact your local office, to discuss selecting the most appropriate service agreement to cover your installer base needs.



Technical Assistance

As a Varian Customer, you can rely on an attentive and professional support staff, dedicated to providing you with the easiest and most personalized service solution possible.

• Customer Support

Our toll-free lines, with mother tongue Technical Support Engineers at worldwide locations, allow us to provide you with quick, corrective responses to your needs. Whenever a new problem is identified and solved by our support personnel, it is entered into our technical support system and becomes available to all Varian technical support centers. This system allows all Varian locations to provide excellent first and second level technical support to customers worldwide. In addition, the technical support centers are in daily contact with our R&D departments for third level support.

Call us today for more information.

Americas

North America: Tel. 1.800.882.7426 (toll-free)
Tel. 1.800.8VARIAN (toll-free)
Fax (1) 781.860.5465

Central and South America: Tel. (1) 781.861.7200
Fax (1) 781.860.5465

Asia

Japan: Tel. 0120-655-040 (toll-free)
Fax (81) 3.5232.1263 (dedicated line)

Korea: Tel. 080.222.2452 (toll-free)
Fax (82) 2.3452.2451 (dedicated line)

Taiwan: Tel. 0800-051342 (toll-free)
Fax (886) 2.2698.9678 (dedicated line)

China: Tel. 800.820.6556 (toll-free)
Fax (86) 21.6375.6848 (dedicated line)

Europe and Israel

Austria, Belgium, France, Germany, Holland, Ireland, Israel (*), Italy, Portugal, Spain, Switzerland, UK:

Tel. 00.800.234.234.00 (toll-free)
Fax 00.800.345.345.00 (fax free)

(*) From Israel dial 012 instead of initial 00

Other Countries

Tel. (39) 011.9979.369 (dedicated line)
Fax (39) 011.9979.330 (dedicated line)



• Application Support – Application Training

Varian has a leadership position in vacuum technology with continuous search for innovative solutions through research and development.

To meet the most demanding needs, our Application Engineer Team can bring our knowledge into your factory. Application Support is a project-based activity where our experts assist you towards the solution of your application issues that might arise pre-sales or post-sales.

By designing solutions that meet customer needs, Varian aims to create a positive and synergetic relationship with customers. Our experts can keep you well-informed and up-to-date on industrial and scientific applications with the goal of optimizing the use of our products on your system as well as the development of new vacuum techniques.

