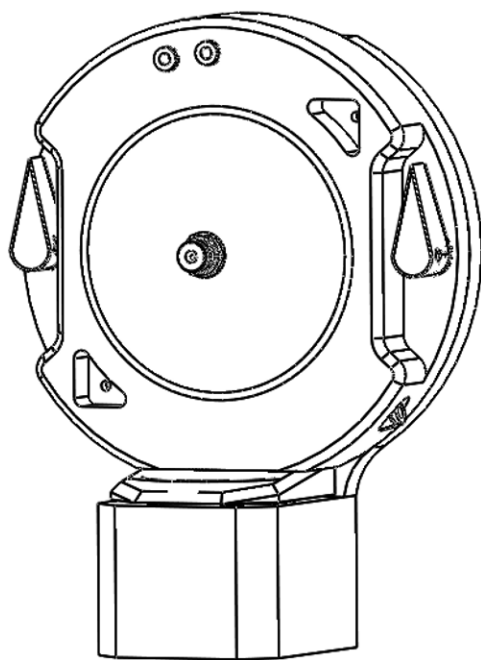


## Installation Card

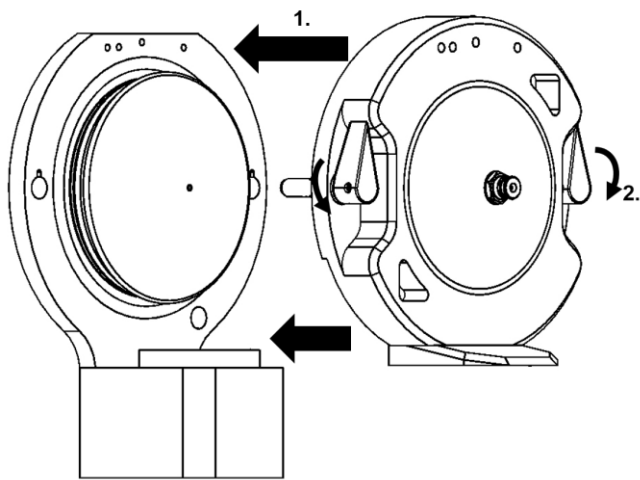
# SICRIT® Interface SX1

for SCIEX LC-MS instruments

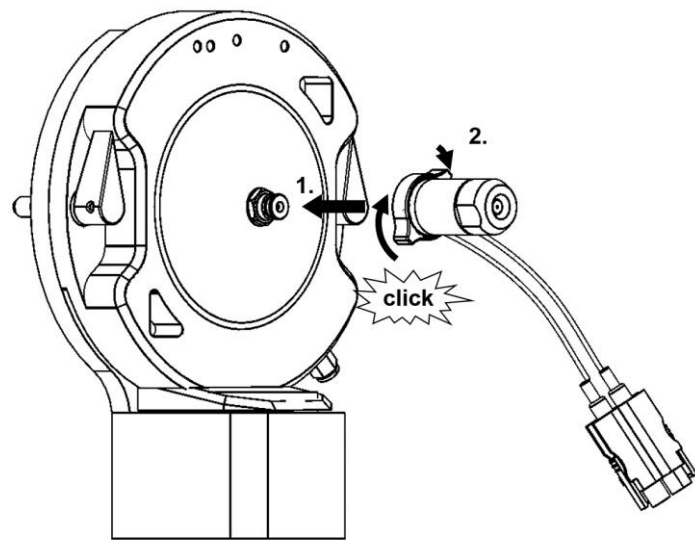


Release January 2020

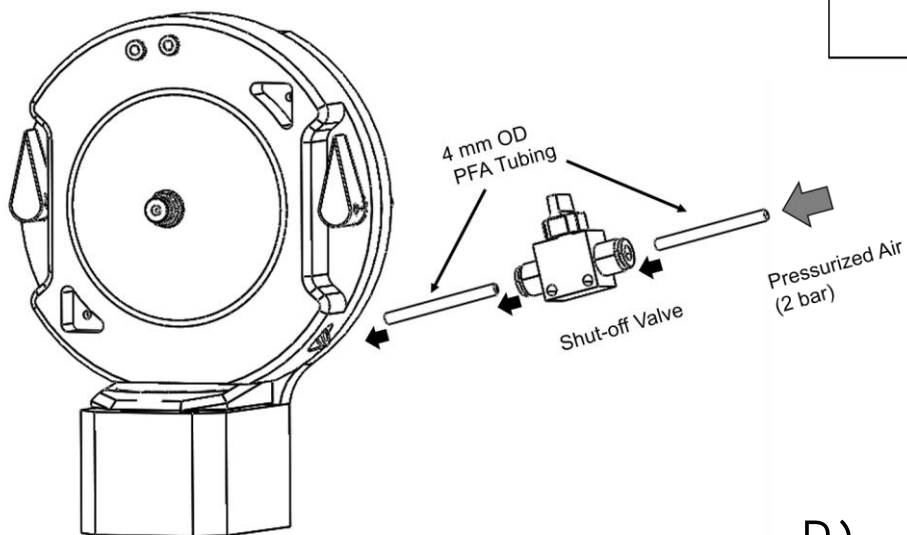
A)



B)



C)



D)

